



Replacement Warranty\*

# HIGH PERFORMANCE EXHAUST FAN



**DIY  
1 METRE  
CORD AND  
PLUG  
INCLUDED**

The Tetra II exhaust fan features a superior blade design for maximum air & steam extraction. This high performance exhaust fan is suitable for small to medium sized bathrooms.

- Superior blade design for maximum air extraction
- Low noise operation
- High performance ball bearing motor
- DIY installation fitted with plug and lead



DIY Plug and Cord



IP Rating



High Velocity Air-steam Extraction



Low Profile



Quiet Operation



High Performance Bearing Motor



Draft Stopper

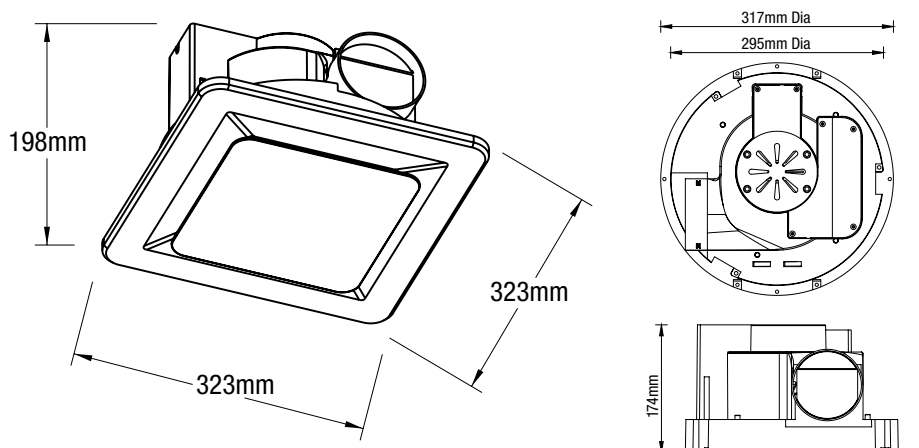


Easy Side Vent Access

## INCLUDES

DIY 1m flex and 3 pin plug

## DIMENSIONS



Aust/NZ Approval No. EESS-150407-0

## HIGH PERFORMANCE EXHAUST FAN

### FEATURES

- DIY installation fitted with plug and lead
- Quick and easy installation to ceiling using a quick mount swivel clip
- 100mm side exhaust duct to prevent ceiling objects falling through
- Superior blade design for maximum air/steam extraction
- High performance ball bearing motor
- Quiet operation
- Removable fascia for easy cleaning
- Includes 1 metre cord and 3 pin plug

### SPECIFICATIONS

<b>Model name</b>	Tetra II
<b>Model number</b>	Silver MXFT25S – White MXFT25W
<b>Power (wattage)</b>	30W
<b>Voltage</b>	220v – 240v
<b>Frequency</b>	50Hz
<b>Exhaust air movement (m<sup>3</sup>/hr)</b>	240m <sup>3</sup> /hr
<b>Motor</b>	Ball bearing
<b>Material</b>	Polypropylene body / ABS fascia
<b>Weather resistance rating</b>	IP20
<b>Fascia size (mm)</b>	320mm x 320mm
<b>Cut out size (mm)</b>	Dia 295mm
<b>Duct outlet diameter (mm)</b>	100mm
<b>Minimum installation ceiling depth</b>	180mm



### INSTALLATION

<b>Installation</b>	DIY installation fitted with plug and lead
<b>Warranty</b>	2 year replacement warranty*

\*For further information regarding warranty terms and conditions, please refer to enclosed warranty statement.

### SHIPPING

<b>Packaging size</b>	L355 x H355 x D245mm
<b>Gross weight</b>	3kg
<b>Carton qty</b>	2

### AVAILABLE IN WHITE AND SILVER



Model	Colour	Barcode
MXFT25S	Silver	 9312375500179
MXFT25W	White	 9312375500162