



Replacement
Warranty*

**BATHROOM HEATER &
EXHAUST FAN WITH LED LIGHT**

**INSTANT
INFRARED
HEAT**



The Contour 2 features a powerful and efficient turbo fan blade design as well as 2 x 275W infrared heat lamps and an 8W LED light. Making this bathroom 3 in 1 suitable for small to medium sized bathrooms.

- Turbo blade fan design
- 8W LED R80 lamp
- Instant infrared heat
- Aluminium ducting included
- High performance ball bearing motor



Weather Resistant
Weather Rating



Instant
Infrared Heat



High
Performance Ball
Bearing Motor



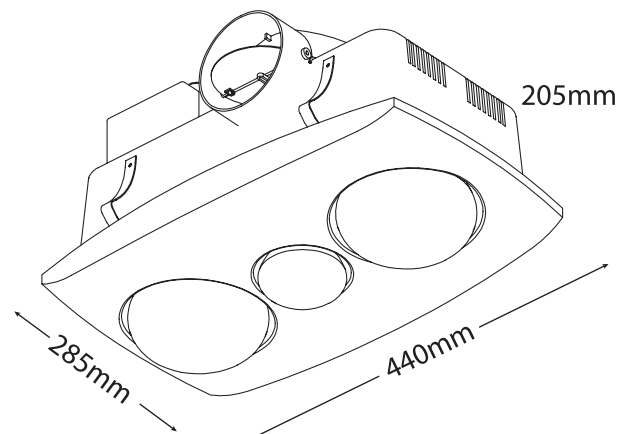
Turbo Fan
Design



Easy Side
Ducting Access

DIMENSIONS

CUT OUT SIZE
390mm x 220mm



Aust/NZ Approval No.
SAA-191053-EA

BATHROOM HEATER & EXHAUST FAN WITH LED LIGHT

FEATURES

- Turbo blade fan design
- 8W LED R80 lamp
- Includes 2 x 275W infrared instant heat lamps
- Aluminium ducting included
- High performance ball bearing motor
- Side duct with built in draft stop outlet
- Easy to clean removable fascia

SPECIFICATIONS

Model name	Contour 2
Model number	Silver MBHC2LS White MBHC2LW
Voltage	220v – 240v
Frequency	50-60Hz
Exhaust air movement (m³/hr)	240m³/hr
Motor	Ball bearing
Light type	R80 E27 LED
Light wattage	8W
Colour Temperature	3000k
Weather resistance rating	IPX4
Control type	3 gang wall switch included
Fascia size (mm)	440 x 285mm
Cut out size (mm)	390 x 220mm
Aluminium duct	1500 x 100mm
Recommended minimum installation depth	200mm



INSTALLATION

Installation	By licensed electrician only
Warranty	2 year in home warranty*

*Excludes heat lamps. For further information regarding warranty terms and conditions, please refer to enclosed warranty statement. Warranty is void unless installed by a licensed electrician.

SHIPPING

Packaging size	L460 x H265 x D355mm
Gross weight	2.1kg
Carton qty	2

AVAILABLE IN SILVER AND WHITE



Model	Colour	Barcode
MBHC2LS	Silver	 9312375500285
MBHC2LW	White	 9312375500278