

# CRUISE



**MCF133S**

Silver



**MCF133W**

White

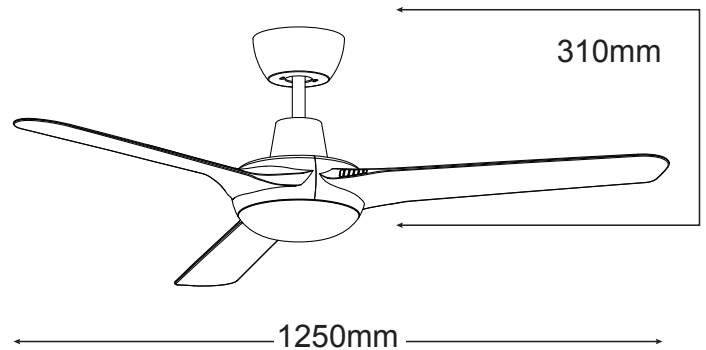


**MCF133M**

Matt Black



- /// 3 year In Home warranty
- /// Polycarbonate composite construction
- /// 3 speed wall control with light switch
- /// Fully reversible for summer & winter
- /// Powerful and efficient 50W motor
- /// Electronically factory balanced blades
- /// Remote control adaptable
- /// 1250mm (50") blade diameter
- /// Hangsure angle canopy
- /// 11° blade pitch



	FORWARD/REVERSE			WALL CONTROL
	High	Medium	Low	
CURRENT	0.165A	0.142A	0.121A	3 Speed 1.5µF +3.5µF / 300V
POWER	40W	28.2W	18.5W	

