

BATHROOM FAN/HEATER REMOTE CONTROLLER OPERATION AND INSTALLATION INSTRUCTIONS

(Please keep this instruction pamphlet.)

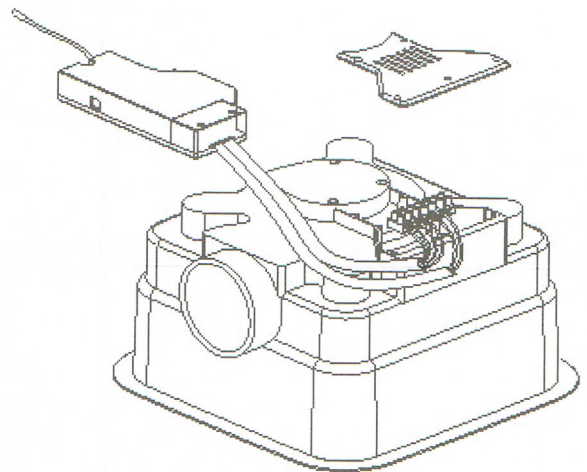
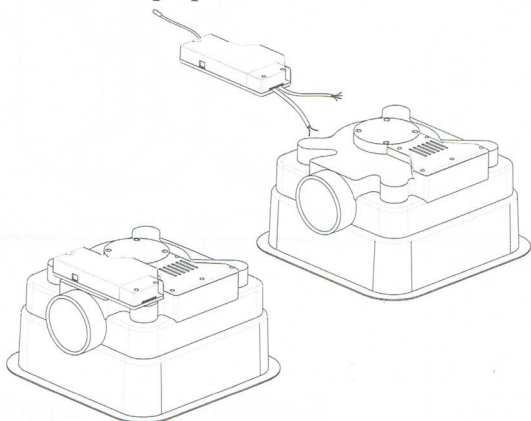
IMPORTANT POINTS TO REMEMBER:

1. Please read and save these instructions.
2. Please note that all fixed wiring appliances should be installed by a qualified electrician.
3. The supply to the remote control receiver should be connected through an isolation switch in accordance with SAA wiring rules and Australian standards
4. Disconnect from power supply at the isolation switch before working on remote receiver or bathroom fan/heater unit.
5. Install receiver onto the back of bathroom Fan/heater to ensure proper protection.
6. This unit is to be used for the control of bathroom Fan/heater and in an AC220/240V 50Hz power supply only.
7. Do not install in damp locations or immerse into water. (For indoor use only.)
8. Do not pull on or cut leads shorter.
9. Do not drop or bump the unit.
10. PLEASE NOTE: The battery will weaken with age and should be replaced before leaking takes place as this will damage the transmitter. Dispose of used battery properly; keep the battery out of reach of children.
11. The use of fluorescent energy saving light globes with electronic remote control units can damage the remote control unit and is not recommended as this could void warranty.
12. If this remote control unit is to be used on a 2 Heat Bathroom Fan, Heater, Light unit you must ensure that the "HEAT 2" wire is correctly terminated and made safe.

INSTALLATION INSTRUCTIONS

CAUTION: INCORRECT WIRE CONNECTION WOULD DAMAGE THIS RECEIVER.

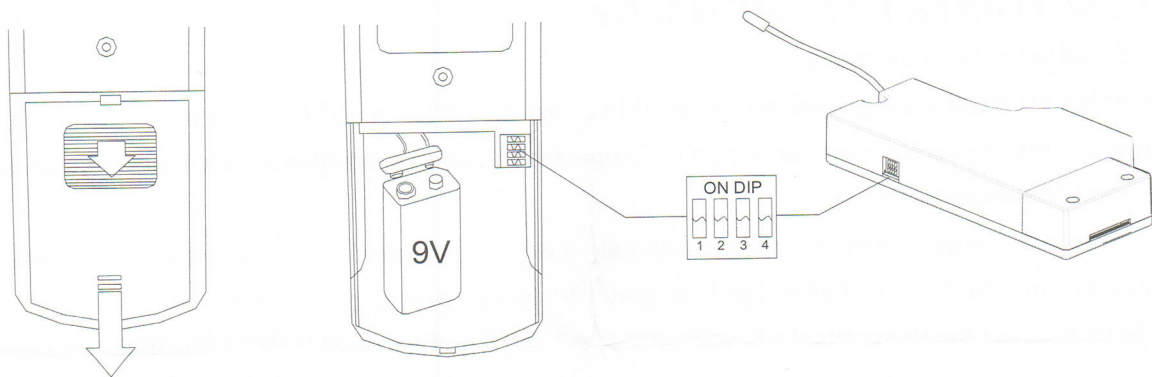
1. Once power is turned on the fan and light will turn on automatically, this is normal and will require you to press the fan and light buttons on your remote control transmitter twice each to turn the fan and light off.
2. Once the connection has been made install the remote receiver onto the back of the fan/heater unit using double sided tape provided.



CODE SWITCH

1. CODE SWITCH: Codes are set by pushing dip switches up or down. It is imperative that the code used for both transmitter and receiver is exactly the same; otherwise remote controller will not work. Please note the code switch will enable you to operate a second remote controller independently. For example, if you have two BATHROOM FAN/HEATER with 2 remote control units, set 2 different codes for each set of transmitter/receivers. This means you can operate each BATHROOM FAN/HEATER independently.

2. Your remote control is ready for use after battery installation.



FUNCTIONS OF TRANSMITTER

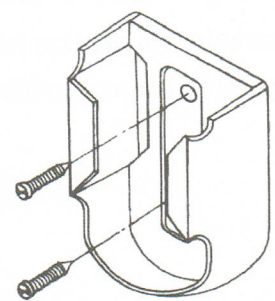
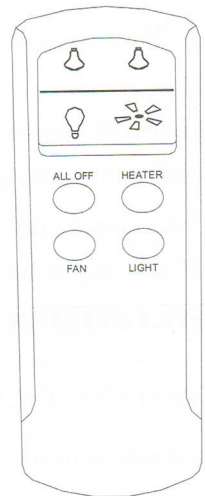
HEATER: Press and release to turn on two heaters, one heater or turn off heater.

LIGHT: Press and release to turn on/off the light.

FAN: Press and release to turn on/off the fan.

ALL OFF: Press and release to turn off all the heater/light/fan.

TRANSMITTER



Installation of Transmitter
Wall Mount Holder with
two screws.

BATHROOM FAN/HEATER REMOTE CONTROLLER Wiring Connection

