

## **IMPORTANT SAFEGUARDS:**

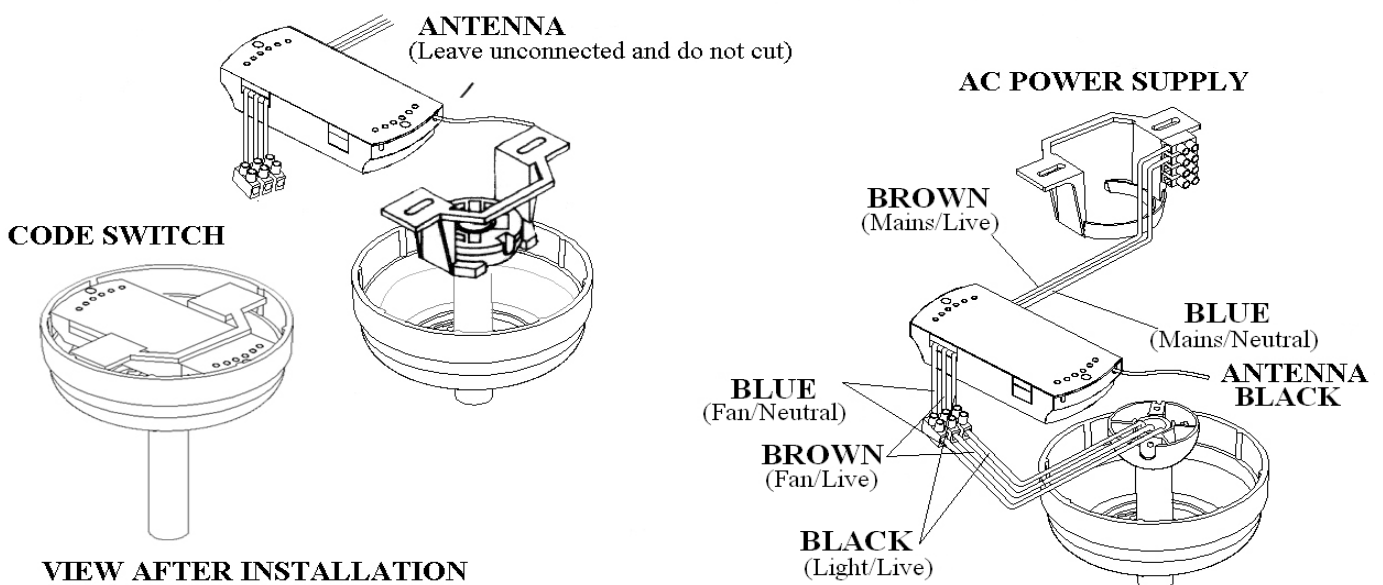
**Read and save these instructions.**

- Please note that a qualified electrician should install this product.
- The remote controller receiver part must be installed inside the fan canopy and should not be installed in the ceiling.
- The supply to the remote control receiver should be connected through a mains switch (i.e. existing wall switch).
- Do not install within very close proximity of lamps or immerse into water. For indoors use only.
- Do not pull on or cut wires or metal rods shorter.
- Do not drop or bump the unit.
- Disconnect from power supply at wall switch before working on remote control receiver or ceiling fan.
- Set the ceiling fan wall speed control rotary switch (if any) to HIGH and light kit (if any) to ON position before operating remote control function of this product.
- Note: Batteries in the transmitter should be replaced at proper intervals to avoid leaks and damages to the transmitter. Follow state regulations and dispose of used battery properly. Keep batteries out of reach of children.
- Caution: Always use **Martec** Fan Speed Controllers. To reduce the risk of fire or injury, do not use this product in conjunction with any other brands or variable solid-state speed controllers.

## **INSTALLATION INSTRUCTIONS**

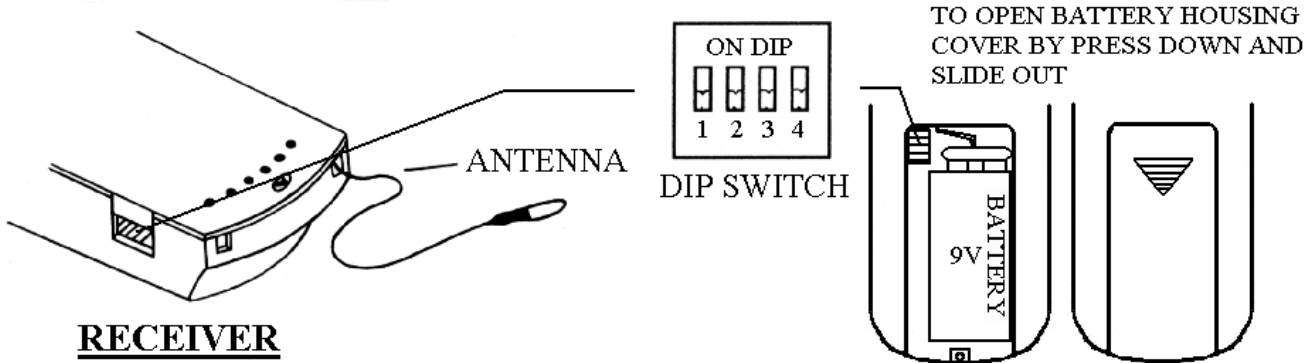
**CAUTION: INCORRECT WIRE CONNECTION WOULD DAMAGE THE RECEIVER.**

- Ceiling fan must be set at HIGH speed and light kit (If any) at ON position by pulling the “Pull Switch” after installation.
- Once the connection has been made, insert the receiver into the drop rod-hanging bracket. The canopy comes up to cover the receiver and bracket. **Wires also can be drawn through topside two openings of the receiver if more space is required to tighten the canopy.**



**CODE SWITCH**

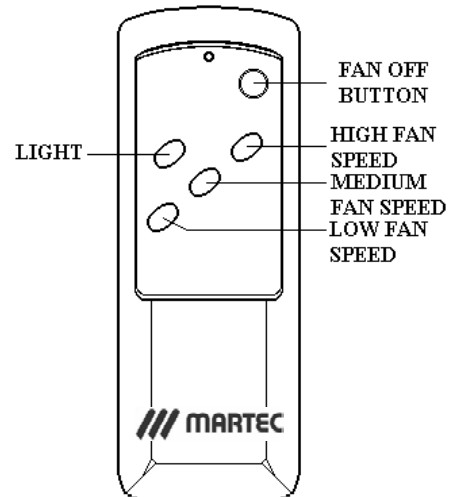
- Pushing dipswitches up or down sets codes. It is imperative that the code used for both transmitter and receiver is exactly the same, otherwise remote controller will not work. Please note the code switch will enable you to operate a second remote controller independently. For example, if you have two ceiling fans with 2 remote control units, set 2 different codes for each set of transmitter/receivers.
- Your remote control is ready for use after battery installation.



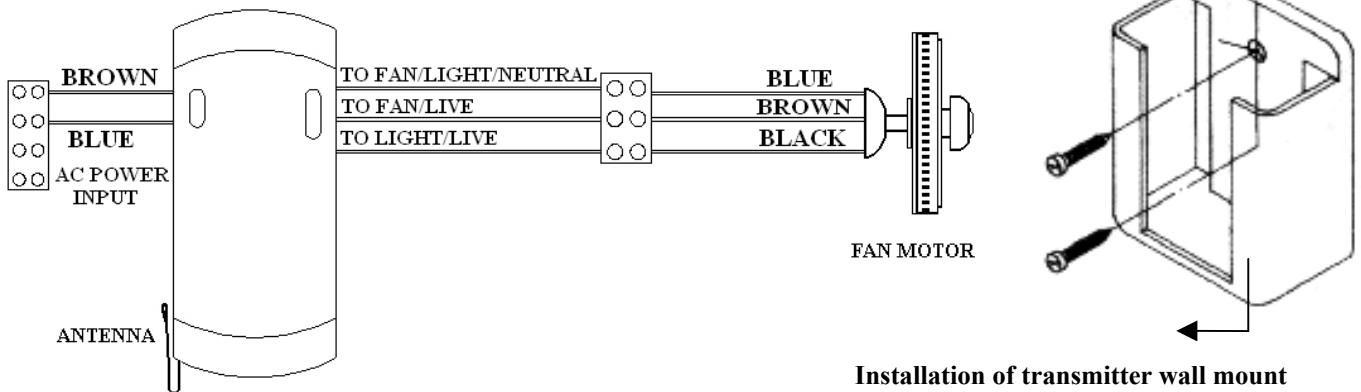
**FUNCTIONS OF TRANSMITTER**

- OFF** : Turn off the ceiling fan.
- HI** : Turn on the fan at high speed.
- MED** : Turn on the fan at medium speed.
- LOW** : Turn on the fan at low speed.
- LIGHT** : Press once to turn on or off the light.

**TRANSMITTER**



***Ceiling Fan Remote Control Wiring Connection***



**Installation of transmitter wall mount holder with two screws.**