

75W 1320MM (52") AC CEILING FAN 4 BLADES



Model Numbers

- MPF130WH - White
- MPF3163SS - 316 Stainless Steel
- MPF3043SS - 304 Brushed Nickel
- PLKWH* - Light kit White
- PLKSS* - Light kit Stainless Steel
- PLKBN* - Light kit Brushed Nickel

Features

- Powerful and efficient 75W AC motor
- Robust designed ideal for indoor, covered outdoor, coastal and tropical applications
- Metal body and canopy with 4 metal blades
- Air movement up to 18,960m³/hr
- Blade pitch 23°
- Hangsure canopy up to 15° maximum
- Fully reversible for summer and winter mode from remote control
- Supplied with 3 speed wall controller
- Compatible with Martec® remote control MPREMS, MPLCDS and MPAPP (sold separately)
- *Optional accessory light kit sold separately



Warranty



Energy Efficient



AC Motor



Airflow Capacity
18,960m³/hr



Blade Pitch



Hangsure
Canopy



Summer/Winter
Reverse
Function



Indoor Cover
Outdoor Use



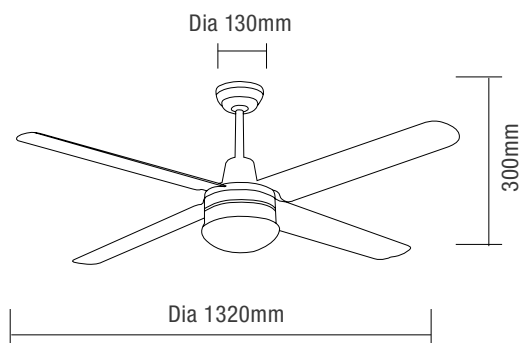
Coastal
Rated



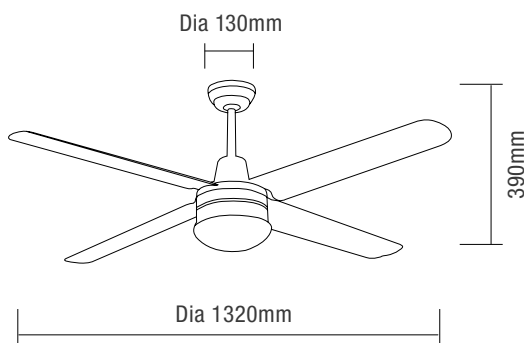
Tropical
Rated

DIMENSIONS

FAN ONLY



FAN LIGHT KIT



75W 1320MM (52") AC CEILING FAN 4 BLADES

PACKAGING

SPECIFICATIONS

Installation	By licensed electrician only
Warranty	6* year replacement warranty

*3 year in-home + additional 3 years on the motor.
For further information regarding warranty terms and conditions,
please refer to enclosed warranty statement.
Warranty is void unless installed by a licensed electrician.

Model Name	Precision
Model Numbers	MPF130WH - White MPF3163SS - 316 Stainless Steel MPF3043SS - 304 Brushed Nickel PLKWH* - Light kit White PLKSS* - Light kit Stainless Steel PLKBN* - Light kit Brushed Nickel
Air Movement m³/hr	18,960m ³ /hr
Motor	AC
Power Wattage	75W
Voltage	220-240V 50Hz
Materials / Blade	Metal body and canopy with metal blades
Number of Blades	4 metal blades
Blade Pitch	23°
Hangsure Canopy	15° maximum
Control	Supplied with 3 speed wall controller

INSTALLATION

SHIPPING

Installation	By licensed electrician only
Warranty	6* year replacement warranty

Packaging Size	230(H) x 260(W) x 650(L)mm (MPF130WH) 230(H) x 260(W) x 650(L)mm (MPF3163SS) 230(H) x 260(W) x 650(L)mm (MPF3043SS)
Carton Quantity	1
Gross Weight	6.5Kg (MPF130WH) 6.5Kg (MPF3163SS) 6.5Kg (MPF3043SS)

AVAILABLE COLOURS



Model	Colour	Barcode
MPF130WH	White	9 312375 800637
MPF3163SS	316 Stainless Steel	9 312375 800576
MPF3043SS	304 Brushed Nickel	9 312375 800606

Model	Colour	Barcode
PLKWH*	White	9 312375 000075
PLKSS*	Stainless Steel	9 312375 000006
PLKBN*	Brushed Nickel	9 312375 000013