

## 75W 1420MM (56") AC CEILING FAN 4 BLADES



### Model Numbers

- MPF140WH - White
- MPF3164SS - 316 Stainless Steel
- MPF3044SS - 304 Brushed Nickel
- PLKWH\* - Light kit White
- PLKSS\* - Light kit Stainless Steel
- PLKBN\* - Light kit Brushed Nickel

### Features

- Powerful and efficient 75W AC motor
- Robust designed ideal for indoor, covered outdoor, coastal and tropical applications
- Metal body and canopy with 4 metal blades
- Air movement up to 21,000m<sup>3</sup>/hr
- Blade pitch 23°
- Hangsure canopy up to 15° maximum
- Fully reversible for summer and winter mode from remote control
- Supplied with 3 speed wall controller
- Compatible with Martec® remote control MPREMS, MPLCDS and MPAPP (sold separately)
- \*Optional accessory light kit sold separately



Warranty



Energy Efficient



AC Motor



Airflow Capacity  
21,000m<sup>3</sup>/hr



Blade Pitch



Hangsure  
Canopy



Summer/Winter  
Reverse  
Function



Indoor Cover  
Outdoor Use



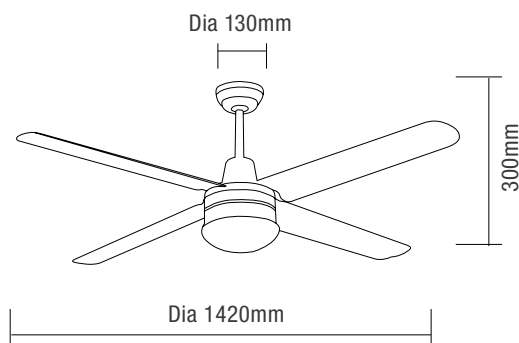
Coastal  
Rated



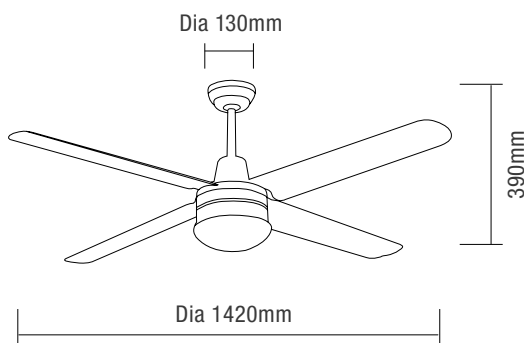
Tropical  
Rated

### DIMENSIONS

#### FAN ONLY



#### FAN LIGHT KIT



## 75W 1420MM (56") AC CEILING FAN 4 BLADES

### PACKAGING

### SPECIFICATIONS

<b>Model Name</b>	Precision
<b>Model Numbers</b>	MPF140WH - White MPF3164SS - 316 Stainless Steel MPF3044SS - 304 Brushed Nickel PLKWH* - Light kit White PLKSS* - Light kit Stainless Steel PLKBN* - Light kit Brushed Nickel
<b>Air Movement m<sup>3</sup>/hr</b>	21,000m <sup>3</sup> /hr
<b>Motor</b>	AC
<b>Power Wattage</b>	75W
<b>Voltage</b>	220-240V 50Hz
<b>Materials / Blade</b>	Metal body and canopy with metal blades
<b>Number of Blades</b>	4 metal blades
<b>Blade Pitch</b>	23°
<b>Hangsure Canopy</b>	15° maximum
<b>Control</b>	Supplied with 3 speed wall controller

### INSTALLATION

<b>Installation</b>	By licensed electrician only
<b>Warranty</b>	6* year replacement warranty

\*3 year in-home + additional 3 years on the motor.  
For further information regarding warranty terms and conditions, please refer to enclosed warranty statement.  
Warranty is void unless installed by a licensed electrician.

### SHIPPING

<b>Packaging Size</b>	230(H) x 260(W) x 650(L)mm (MPF140WH) 230(H) x 260(W) x 650(L)mm (MPF3164SS) 230(H) x 260(W) x 650(L)mm (MPF3044SS)
<b>Carton Quantity</b>	1
<b>Gross Weight</b>	6.5Kg (MPF140WH) 6.5Kg (MPF3164SS) 6.5Kg (MPF3044SS)

### AVAILABLE COLOURS



Model	Colour	Barcode
MPF140WH	White	 9 312375 800644
MPF3164SS	316 Stainless Steel	 9 312375 800583
MPF3044SS	304 Brushed Nickel	 9 312375 800613

Model	Colour	Barcode
PLKWH*	White	 9 312375 000075
PLKSS*	Stainless Steel	 9 312375 000006
PLKBN*	Brushed Nickel	 9 312375 000013