

**38W 1320MM (52") DC CEILING FAN
3 ABS BLADES WITH REMOTE CONTROL**



Model Numbers

MSF133WR
MSF133MR
MSF133BR

Features

- 6* year warranty
- Brushless quiet and efficient 38W DC motor
- Robust industrial designed ideal for indoor and covered outdoor applications
- Metal body and canopy with 3 ABS blades
- Air movement up to 12,000m³/hr
- Blade pitch 13°
- Hangsure canopy up to 15° maximum
- Fully reversible for summer and winter mode from remote control
- Supplied with 5 speed remote control and timer with up to 8 hour timer control mode



Warranty



Energy Efficient



DC Motor



Airflow Capacity
12,000m³/hr



Blade Pitch



Hangsure
Canopy



Summer/Winter
Reverse
Function

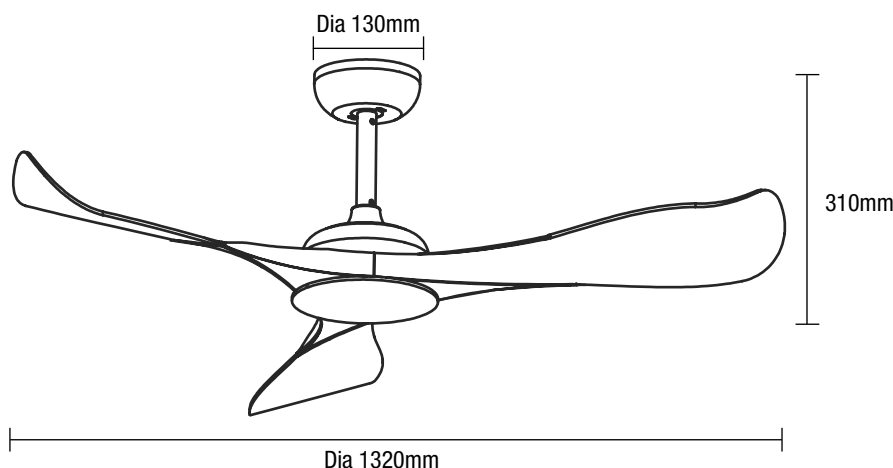


Indoor Cover
Outdoor Use



Tropical
Rated

DIMENSIONS



Aust/NZ Approval No.
SAA-171789-EA.

38W 1320MM (52") DC CEILING FAN 3 ABS BLADES WITH REMOTE CONTROL

PACKAGING



SPECIFICATIONS

Model Name	Scorpion
Model Numbers	MSF133WR White Satin MSF133MR Matt Black MSF133BR Brushed Nickel
Air Movement m³/hr	12,000m ³ /hr
Motor	DC
Power Wattage	38W
Voltage	220-240V 50Hz
Materials / Blade	Metal body and canopy with ABS blades
Number of Blades	3 ABS blades
Blade Pitch	13°
Hangsure Canopy	Maximum 15°
Control	Supplied with 5 speed remote control and timer

INSTALLATION

Installation	By licensed electrician only
Warranty	6* year replacement warranty

*3 year in-home + additional 3 years on the motor.
For further information regarding warranty terms and conditions, please refer to enclosed warranty statement.
Warranty is void unless installed by a licensed electrician.

SHIPPING

Packaging Size	238(H) x 295(W) x 675(L)mm (MSF133WR) 238(H) x 295(W) x 675(L)mm (MSF133MR) 238(H) x 295(W) x 675(L)mm (MSF133BR)
Carton Quantity	1
Gross Weight	7Kg (MSF133WR) 7Kg (MSF133MR) 7Kg (MSF133BR)

AVAILABLE COLOURS



Model	Colour	Barcode
MSF133WR	Matt White	9 312375 903017
MSF133MR	Matt Black	9 312375 903031

Model	Colour	Barcode
MSF133BR	Brushed Nickel	9 312375 903024