

**38W 1320MM (52") DC CEILING FAN TRICOLOUR LED LIGHT
3 ABS BLADES WITH REMOTE CONTROL**



Model Numbers

MSF1333WR
MSF1333MR
MSF1333BR

Features

- 6* year warranty
- Brushless quiet and efficient 38W DC motor
- Robust industrial designed ideal for indoor and covered outdoor applications
- Metal body and canopy with 3 ABS blades
- Air movement up to 12,000m³/hr
- Blade pitch 13°
- Hangsure canopy up to 15° maximum
- Fully reversible for summer and winter mode from remote control
- Supplied with 5 speed remote control and timer with up to 8 hour timer control mode
- 24W tricolour LED with 3 step switch dimming
- Switchable colour temperature between 3000K, 4000K & 5000K



Warranty



Energy Efficient



DC Motor



Airflow Capacity
12,000m³/hr



Blade Pitch



Hangsure
Canopy



Summer/Winter
Reverse
Function



Indoor Cover
Outdoor Use



Tropical
Rated

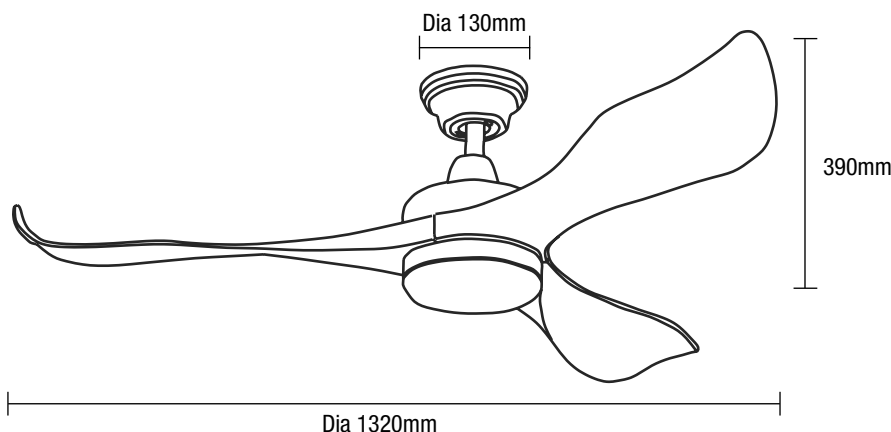


Tricolour



3 Step Switch
Dimming

DIMENSIONS



Aust/NZ Approval No.
SAA-171789-EA.

38W 1320MM (52") DC CEILING FAN TRICOLOUR LED LIGHT 3 ABS BLADES WITH REMOTE CONTROL

PACKAGING



SPECIFICATIONS

Model Name	Scorpion
Model Numbers	MSF1333WR White Satin MSF1333MR Matt Black MSF1333BR Brushed Nickel
Air Movement m³/hr	12,000m ³ /hr
Motor	DC
Power Wattage	38W
Voltage	220-240V 50Hz
Materials / Blade	Metal body and canopy with ABS blades
Number of Blades	3 ABS blades
Blade Pitch	13°
Hangsure Canopy	Maximum 15°
Lighting Wattage / Type	24W LED
Colour Temperature	3000K / 4000K / 5000K
Lumens Output	2250lm / 2650lm / 2550lm
Rated Lifetime	35,000 hours @ Ta25°C
Dimmable	3 step dimming
Control	Supplied with 5 speed remote control and timer

INSTALLATION

Installation	By licensed electrician only
Warranty	6* year replacement warranty

*3 year in-home + additional 3 years on the motor.
For further information regarding warranty terms and conditions, please refer to enclosed warranty statement.
Warranty is void unless installed by a licensed electrician.

SHIPPING

Packaging Size	238(H) x 295(W) x 675(L)mm (MSF1333WR) 238(H) x 295(W) x 675(L)mm (MSF1333MR) 238(H) x 295(W) x 675(L)mm (MSF1333BR)
Carton Quantity	1
Gross Weight	8.5Kg (MSF1333WR) 8.5Kg (MSF1333MR) 8.5Kg (MSF1333BR)

AVAILABLE COLOURS



Matt Black



Old Bronze/Walnut



White Satin

Model	Colour	Barcode
MSF1333WR	Matt White	9 312375 903048
MSF1333MR	Matt Black	9 312375 903062

Model	Colour	Barcode
MSF1333BR	Brushed Nickel	9 312375 903055