

Profile Plus **LED**

MARTEC

Profile Plus 4



FEATURES

- /// 3 year In Home warranty
- /// Excellent airflow 460m³ / h
- /// Long life ball bearing motor
- /// Quiet operation
- /// Turbo fan blade
- /// Duct outlet (120mm diameter)
- /// Removable grill
- /// Half or full heat function 4 x 275W heat lamps included
- /// 4x 6w 3000K Boss GU10 (MBGU306) LED lamps included
- /// 1x 4-Gang switch included
- /// Draft stopper, side ducting, and grill included
- /// Remote control adaptable (MBHREM)

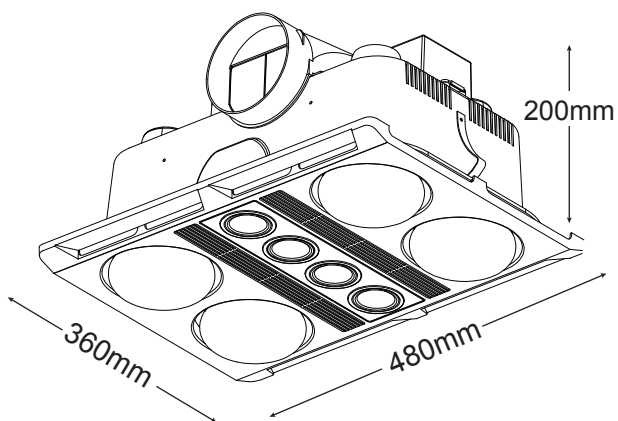


MBHP4LS



MBHP4LW

DIAGRAM



4 x 275W instant heat infrared heat lamps

4 x 6W GU10 LED Lamps

CUT OUT SIZE 435mm x 275mm

GRILL SIZE 480mm x 360mm

LUMEN 1440lm

Minimum ceiling depth of 210mm is required