

3-IN-1 BATHROOM HEATER HEAT LAMPS, EXHAUST FAN AND LED LIGHT



Model Numbers

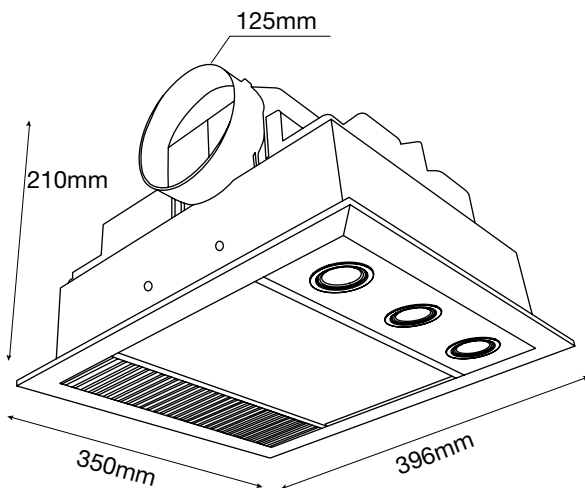
MBHM1000S / MBHM1000W

Features

- 2 year in-home warranty (globes excluded)
- Sleek and low profile design to suit any bathroom application
- Metal housing with heat proof glass fascia
- Built in thermal overload protection
- High airflow extraction up to 480m³/hr
- Back draft stopper included
- Cut-out template included
- Compatible with Martec bathroom remote MBHREM (not included)



DIMENSIONS



3-IN-1 BATHROOM HEATER HEAT LAMPS, EXHAUST FAN AND LED LIGHT

PACKAGING



SPECIFICATIONS

Model Name	Linear Mini
Model Numbers	MBHM1000S Silver MBHM1000W White
Air Movement m³/hr	480m ³ /hr
Power Wattage	1058W
Voltage	220-240V 50Hz
Materials/Housing	Metal housing with heat proof glass fascia
Cutout Size	350 x 305mm
Heating wattage/type	1x 1000W R7s heat globe
Lighting wattage/type	3x 6W GU10 LED globe
Colour Temperature	3000K
Lumens Output	1891lm
Minimum Ceiling Depth	220mm
Ducting Size	125mm
Accessories Included	1x 3m duct 2x clips for ducting 1x external grille 1x 3 gang switch wall controller

INSTALLATION

Installation	By licensed electrician only
Warranty	2 year replacement warranty


*For further information regarding warranty terms and conditions, please refer to enclosed warranty statement. Warranty is void unless installed by a licensed electrician.


SHIPPING

Packaging size	580(H) x 550(W) x 420(L) mm
Carton quantity	2
Gross weight	16.5Kg

AVAILABLE COLOURS



Model	Colour	Barcode
MBHM1000S	Silver	 9312375503040

Model	Colour	Barcode
MBHM1000W	White	 9312375503033