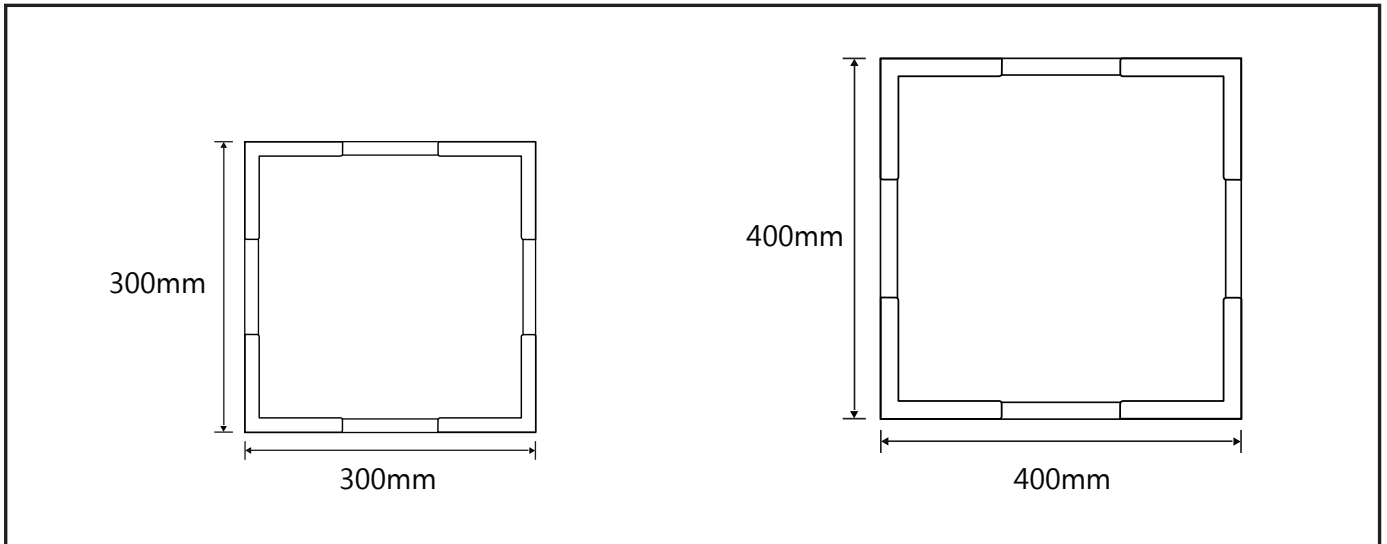


PLEASE READ THESE INSTRUCTIONS CAREFULLY BEFORE INSTALLATION.
PLEASE RETAIN INSTRUCTIONS FOR FUTURE REFERENCE.

Sabre Surface Mounted Light



Thank you for purchasing the Sabre Surface Mounted LED fitting.

INSTALLATION

- This unit **MUST** be installed by a licensed electrician to comply with the relevant Australian/New Zealand standards.
- Disconnect the main supply prior to wiring.

Step 1.

Remove the screws on the side of the unit.

Step 2.

Screw the main body directly to the ceiling using the screw slots.

Step 3.

Terminate input wires into the terminal block in the centre of the fitting.

Step 4. Place the screws back into the fitting.

PRODUCT FEATURES

- 3 year replacement warranty
- Long life energy saving LED technology
- Slim surface mounted ceiling panel
- Modern, sleek design
- Anodised aluminium trim
- Easy Installation
- Terminal block connection conveniently located in the centre of the fitting

DIMMING

The Sabre Surface Mounted light can be dimmed to 10%.

Martec LED fittings are compatible and supported with the Martec MTD300VA dimmer, if dimmable model.

All other dimmers may work, but are not supported by Martec.