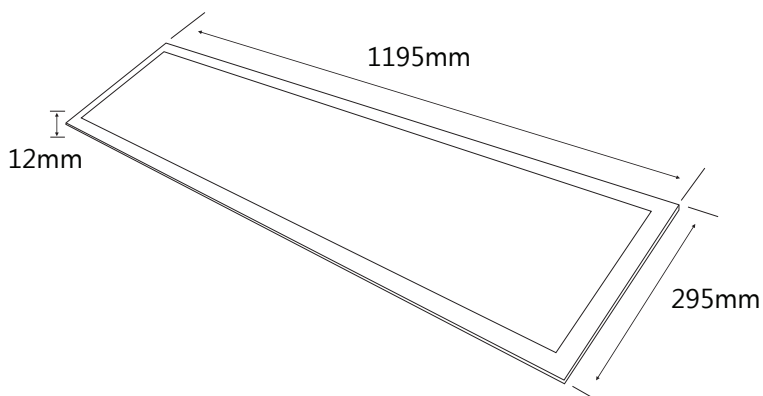


PLEASE READ THESE INSTRUCTIONS CAREFULLY BEFORE INSTALLATION.
PLEASE RETAIN INSTRUCTIONS FOR FUTURE REFERENCE.

Tradetec 40w LED Executive Panel

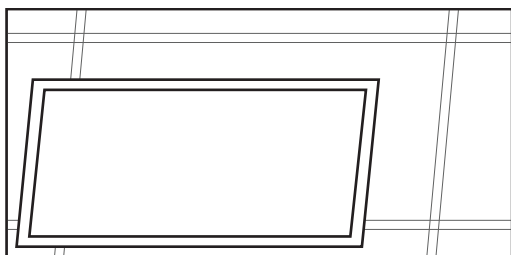
PRODUCT FEATURES

- 12 month replacement warranty
- Slim surface mounted panel
- Long life energy saving LED technology
- Non-dimmable
- PMMA light distribution panel

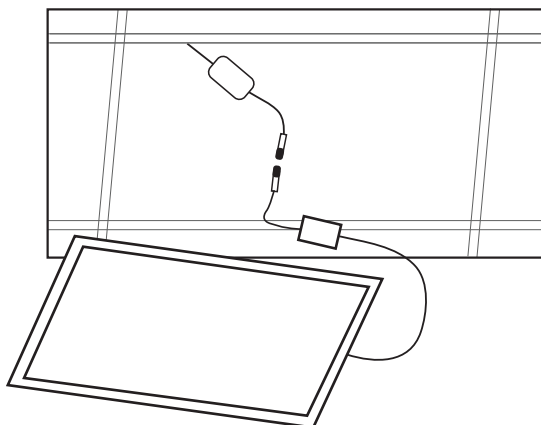


INSTALLATION

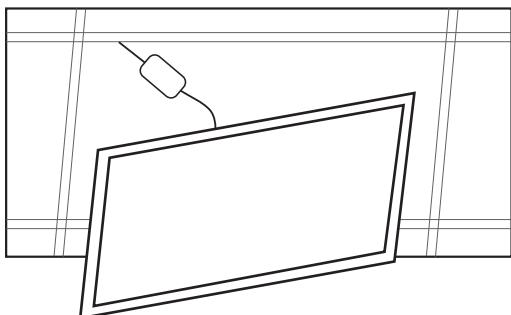
1. Remove the ceiling tile



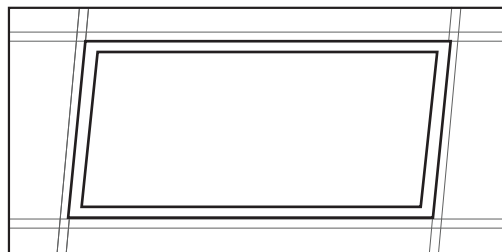
2. Connect the flex and plug



3. Fit the Executive Panel into the T-bar



4. Re-connect the power



SAFETY

Installation of the Tradetec Executive Panel must follow S.A.A standards and meet local Authority regulations. A fully qualified and licensed electrician lawfully **MUST** carry out installation. Means for disconnection must be incorporated in the fixed wiring in accordance with wiring rules.

Ver 1. 19.12.2016

COMPLIANCE

The Executive Panel has been tested to comply with relevant Australian/New Zealand standards.

- AS/NZS 60598.1:2013
- AS/NZS 60598.2.2:2016
- SAA 501399

