

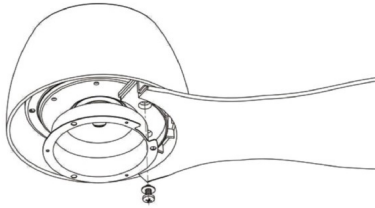
Ceiling Fans Remotes Trouble Shooting Checklist

Trouble Shooting	Problem Causes	Suggested Solution
Fan is not operating correctly.	Mains power not connected.	Replace fuse or reset circuit breaker. Turn ON isolation switch
	Wall controller is not removed and is interfering with remote operation.	Remove the fan wall controller and replace with ON/OFF switch for remote
	Power to fan has been switched OFF at the isolation switch.	Turn isolation ON to power the remote receiver unit.
	Remote control receiver wiring is incorrect	Verify wiring connections according to label and wiring diagram
	Transmitter and receiver pairing (DIP) switches do not match.	Set transmitter and receiver to same switch setting.
	The remote control is out of range of the receiver.	Move remote control closer to the receiver.
Fan operates only at close range.	Other devices operating on similar frequency.	Change pairing code switches on both receiver and remote.
	Battery is flat.	Replace batteries with same AA size.
Fan is operating intermittently, or turning on without remote.	RF interference or interference from similar ceiling fans in neighbouring buildings.	Change pairing (DIP) switch settings to a different code. Each pair of transmitter and receiver must have unique DIP switch code.
Reminder: Some trouble shooting problems can only be carried out by a qualified and licensed electrician		

WARNING Installation **MUST** carry out by a qualified and licensed electrician.

How to Install Blades

Fg.5



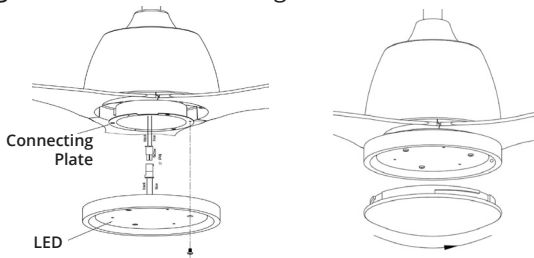
The screw installed on the upper housing must align at the gap as shown. (See Fg.5)

Remove the screw at the lower housing. Align holes on the blades with holes at the bottom of the motor. Tighten the blade using screws provided. Repeat the same step until all blades are installed.

NB: Ensure the blades do not get damaged or bent during the installation process while the fan maybe on the ground, this will affect the performance and balance of the fan and this is NOT covered under warranty.

How to Install / Remove the Cover

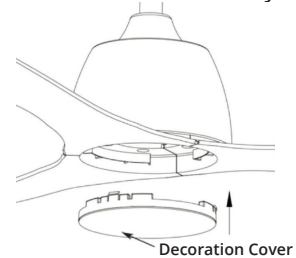
Fg.6 Model shown with light



To install: Remove the screw from the connecting plate. Plug the wire into the light kit mounting hole. Align the thread with connecting plate before tighten the screw.

To remove: Turn anti-clockwise.

Fg.7 Model shown fan only

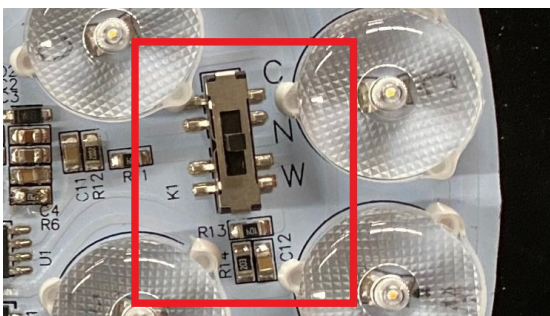


To install: Align face plate with the blade gap before pressing.

To remove: Turn anti-clockwise.

CCT (Colour Changeable Temperature)

Fg.8



Choose colour temperature by flicking the switch in the LED (See Fg.10)

C = 5000K cool white

N = 4000K neutral white

W = 3000K warm white

WARNING Installation MUST carry out by a qualified and licensed electrician.

Dimming

The Elite ceiling fan has a smart 3 step dimming LED light module which doesn't require a dimmable remote control or a wall dimmer. It only requires a normal on/off remote kit (MPREMS) or a normal light wall switch. (Supplied in remote control kit). Turn the switch on and the light will turn on. Flick the switch on/off within 1 second and the light output will dim down to approx. 50%. Flick the switch on/off again and the light output will dim down to approximately 15%. The light kit has no memory function, It will turn on 100% initially.

Instructions and Functions of Transmitter



Setting the code on transmitter

1. Remove battery cover
2. Slide code switches to your choice of ON/OFF position
3. Install battery (supplied)

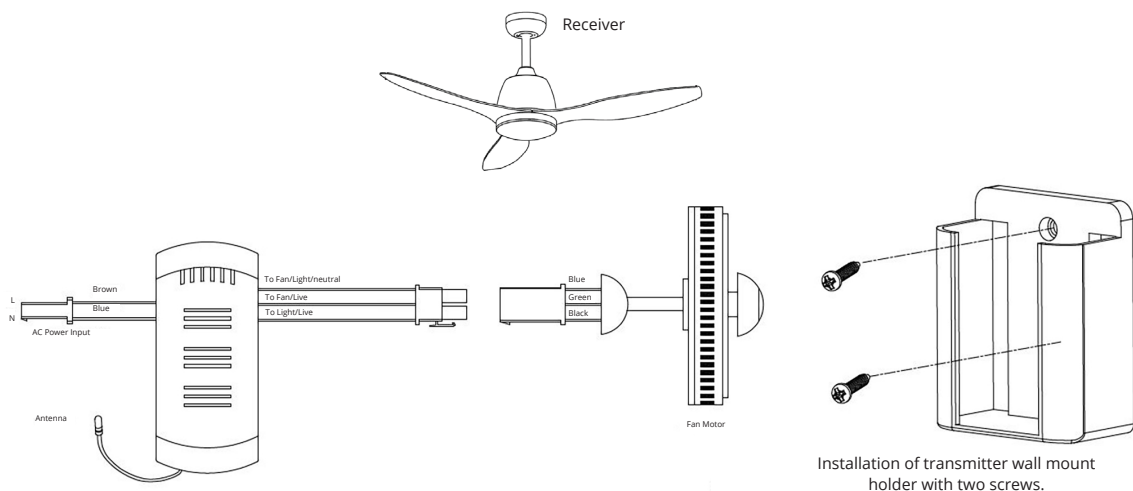
Setting code on receiver:-

1. Slide code switches on the receiver in the same position set on the transmitter

NB: MarTec Remotes - MPREMS (as illustrated on the left), MPLCDS and MAPP are sold separately.

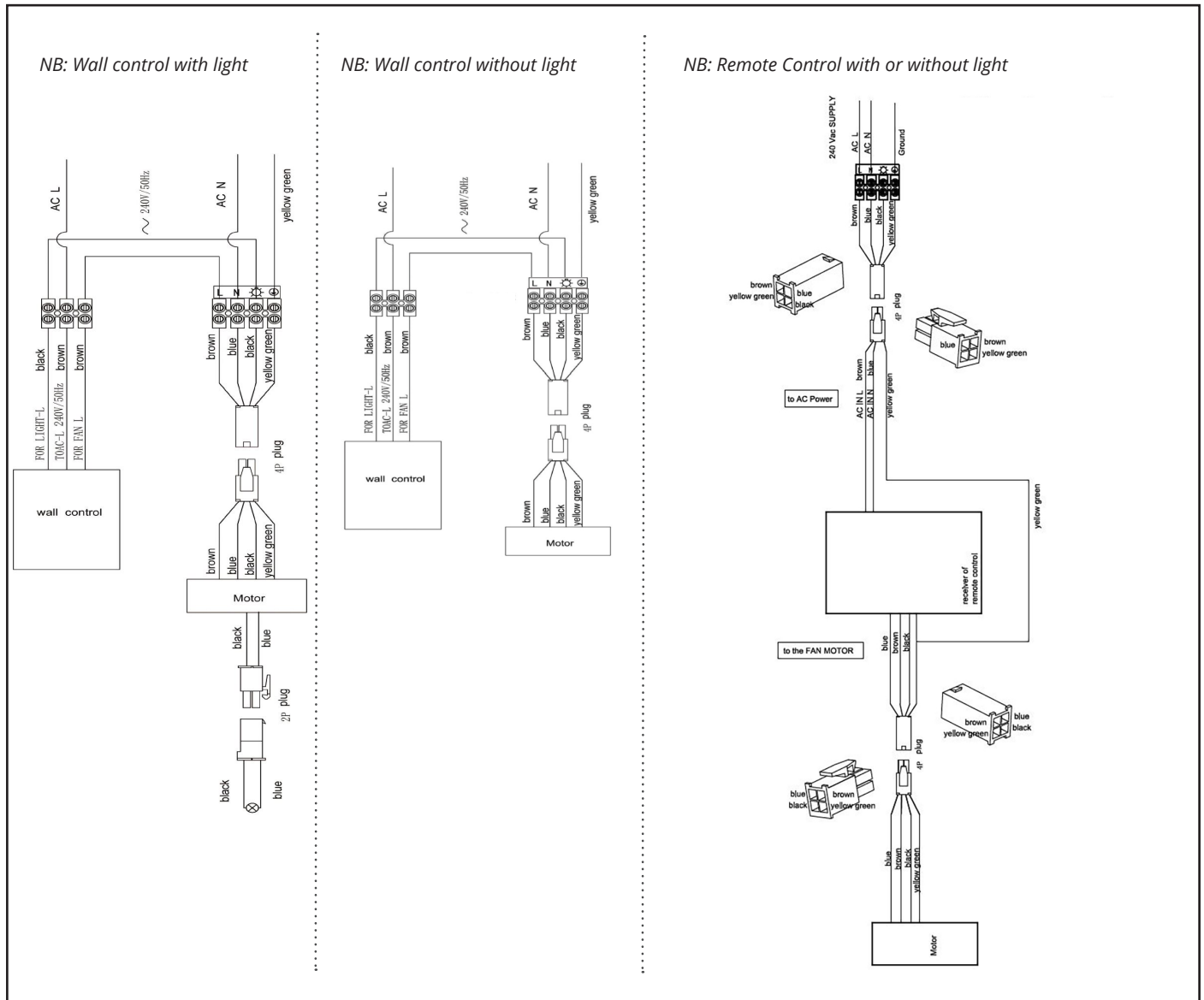


Installing Receiver Remote Control



WARNING Installation MUST carry out by a qualified and licensed electrician.

Wire Connections



6* Year Warranty

Visit our website for details <https://www.martecaustralia.com.au/warranty-statement/>



WARNING

- Installation of fans **MUST** follow SAA standards and meet local authority regulations.
- Installation **MUST** be carried out by a qualified and licensed electrician.
- Fan and light **MUST** be earthed.
- Bracket **MUST** be firmly attached to a flat solid structure or timber frame.
- **DO NOT** mix blades from one model to another, all blades **MUST** be replaced if damaged.
- The warranty is **VOID** if product is not installed according to this installation guide.