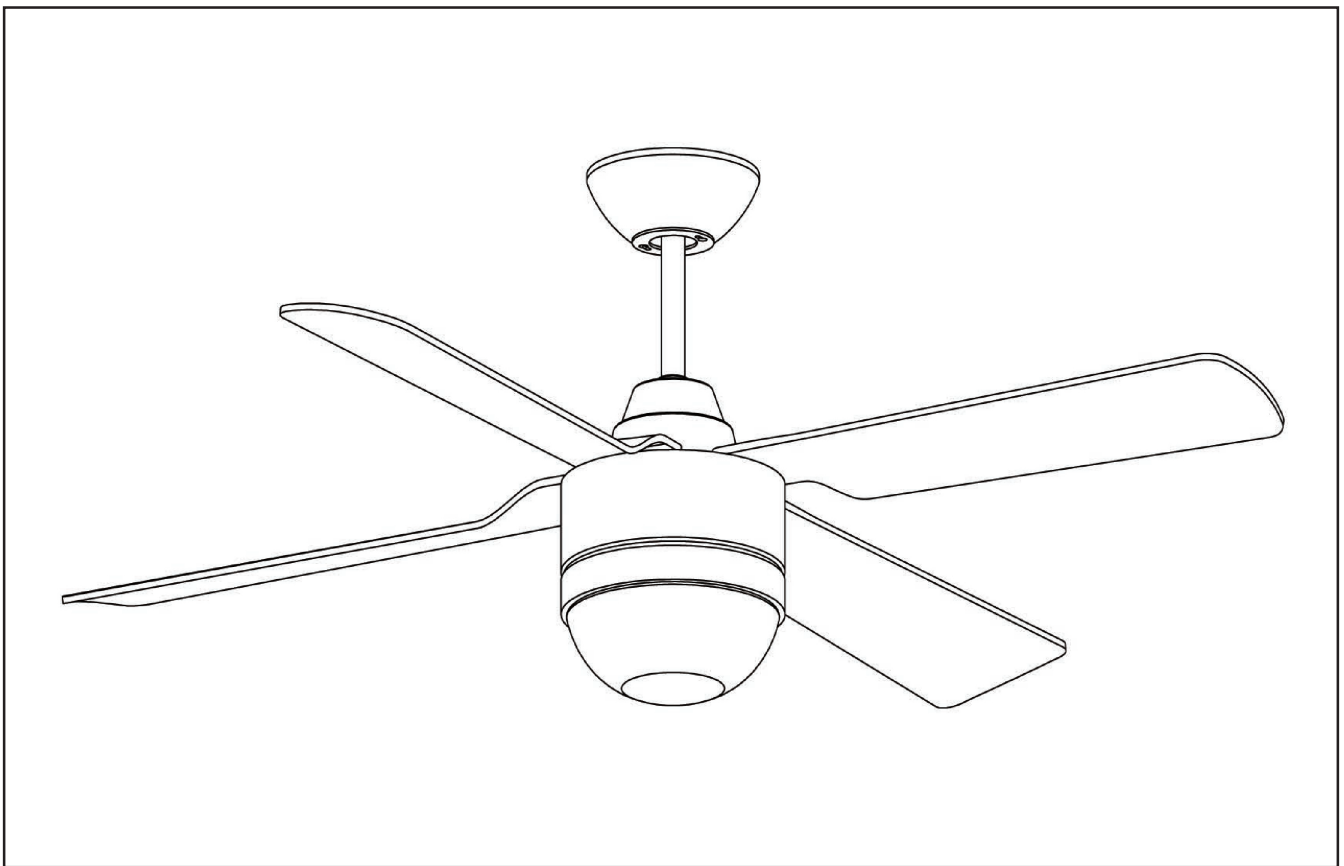




ROCKET SERIES

Ceiling Fan Instruction Book



Models: MR0124 MRO1244

| DESCRIPTION | QUANTITY |
|--------------------|----------|
| Motor assembly | 1 |
| Instruction manual | 1 |
| Screw kit | 1 |
| Balancing kit | 1 |
| Hanging bracket | 1 |
| Wall control kit | 1 |

Thank you for purchasing your MARTEC ROCKET Series Ceiling Fan. Please read all instructions carefully before assembly and use.

IMPORTANT SAFEGUARDS

READ THESE INSTRUCTIONS CAREFULLY BEFORE INSTALLING OR USING THE PRODUCT. KEEP THE INSTRUCTIONS HANDY FOR FUTURE REFERENCE.

IMPORTANT

Always operate the product from a power source of the same Voltage, Frequency and ratings as on the product Identification Plate.

IMPORTANT

The fan is to be installed so that the blades are more than 2.1 metres above the floor.

Avoid contacting moving parts, keep hands, hair and clothing well away from the product while it is in operation.

A Luminaire (light fitting) included in the fan packaging may only be fitted to this fan.

“This appliance is not intended for use by persons (including children) with reduced physical, sensory or mental capabilities, or lack of experience or knowledge, unless they have been given supervision or instruction concerning use of the appliance by a person responsible for their safety.”

“Young children should be supervised at all times to ensure that they do not play with the appliance.”

Do not operate any product which has been or appears damaged in any manner or after the product malfunctions.

CAUTION: TO REDUCE THE RISK OF ELECTRIC SHOCK, DO NOT INSTALL THE PRODUCT WHERE IT CAN BE EXPOSED TO RAIN, MOISTURE OR ANY LIQUID.

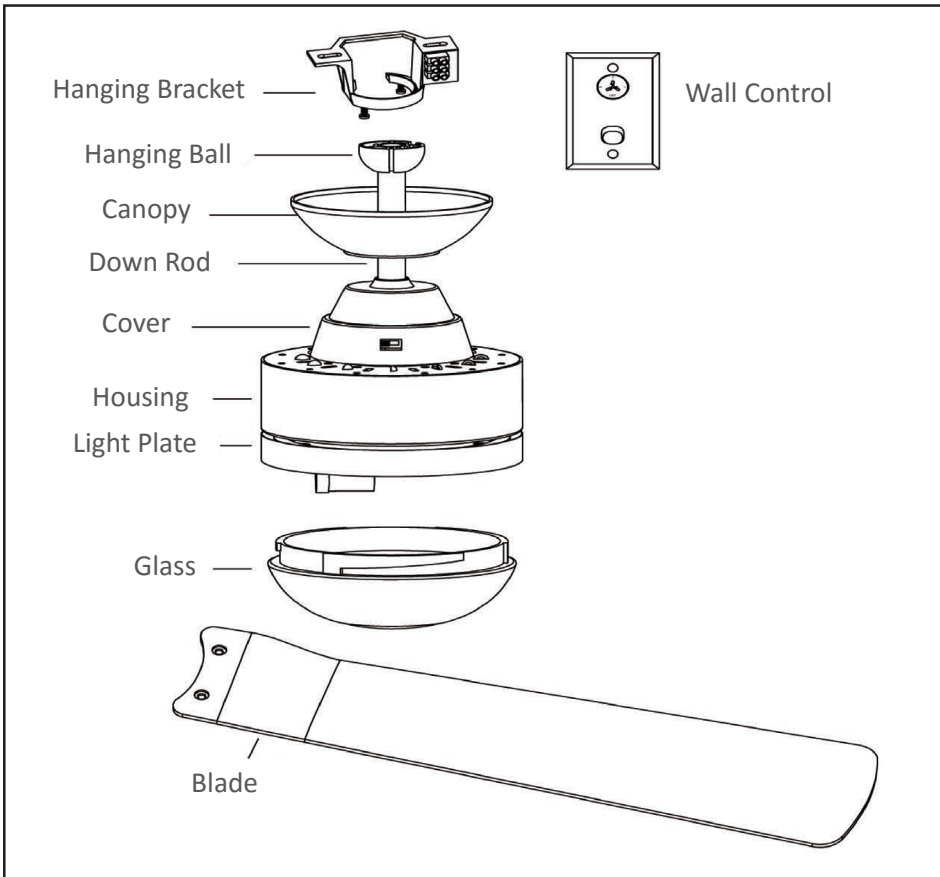
Do not use the product for other than its intended use as described in these instructions. This product is intended for normal domestic household use only. The use of accessory attachments other than those recommended by the manufacturer may cause safety hazards.

SAFETY

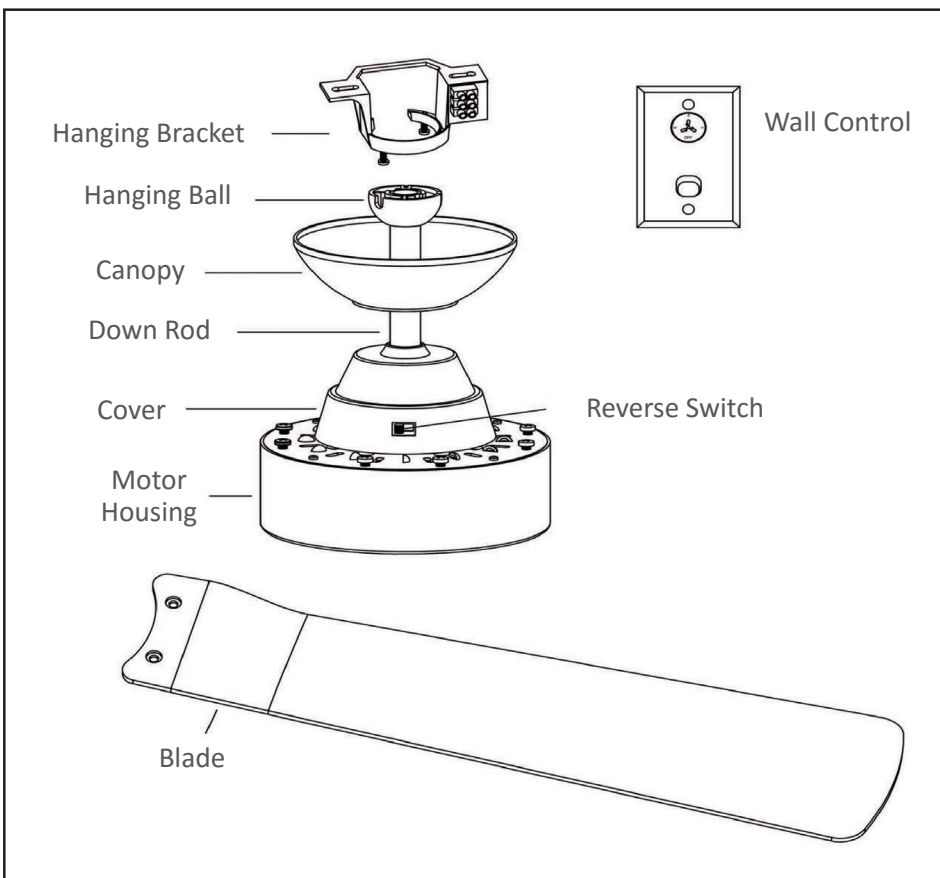
The installation of fans must follow S.A.A. standards and meet local Authority regulations. A fully qualified and licensed electrician lawfully **MUST** carry out installation. Means for disconnection must be incorporated in the fixed wiring in accordance with wiring rules. Fan and light **MUST** be earthed. Bracket **MUST** be firmly attached to a solid structure i.e. concrete ceiling, steel structure or timber frame, etc. and **MUST** be nailed between beams if the timber option is required. **ONLY** install the remote controller kit that comes supplied by Martec Pty Ltd within package. **DO NOT** control operation of fan and light with any other remote control than what was approved by Martec Pty Ltd and supplied within this package, as this will void warranty.

WARNING

Only approved Martec Pty Ltd wall controllers should be used for the operation of our fans. The use of unauthorised controllers will void the warranty. **DO NOT** mix blades from one fan to another. All blades must be replaced if damaged.



With Light



Without Light

HOW TO ASSEMBLE

Secure the hanger bracket to ceiling beam or a suitable piece of timber inserted between the ceiling beams. Martec Pty Ltd recommends the bracket to be attached with two long screws as supplied within the package. There is a ball seat rubber cover need to be pressed into the bracket.(See Fig.1.)

Place circular shockproof gasket above the hanger bracket. Align the bracket and screw the hanger bracket to the ceiling tightly.(See Fig.2.)

Place fan into hanger bracket and align Ball Joint Slot with hanger bracket as illustrated.(See Fig.3.)

After wiring is completed, attach the canopy to the hanger bracket by pushing upwards and twisting anti-clockwise. Locate screws in keyholes and tighten., ensuring canopy is not touching the ball joint. (See Fig.4)

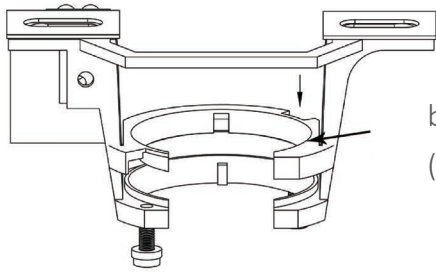


Fig.1

ball seat rubber cover
(Packed with hanger bracket)

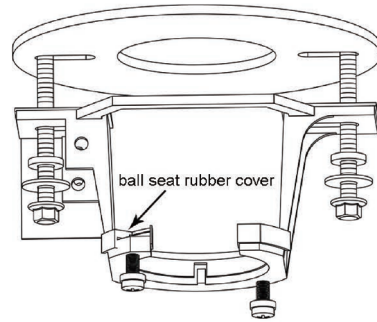


Fig.2

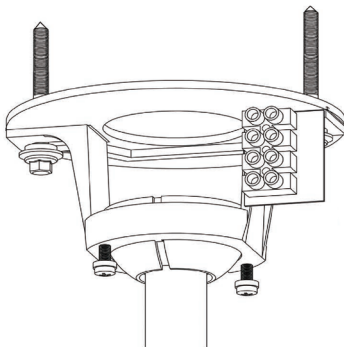


Fig.3

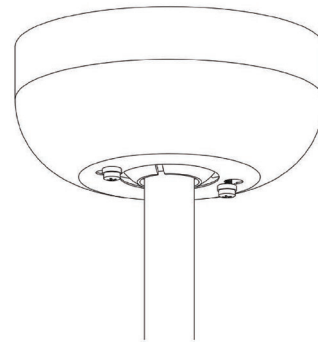
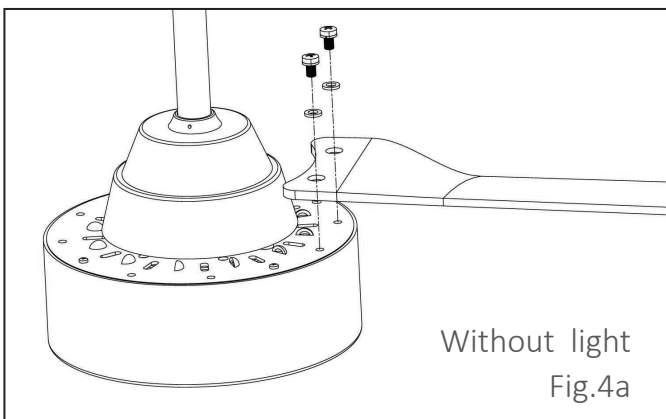


Fig.4

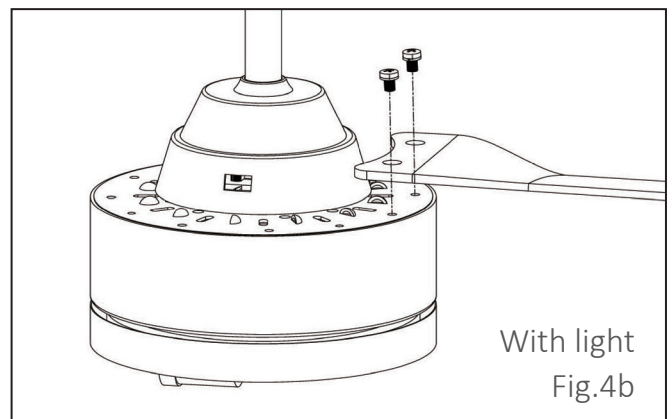
HOW TO INSTALL BLADES

Attach the blade to the top of the motor with two blade screws and washers provided. Tighten them securely.

Repeat this procedure for all blades. (See Fig.4a. or Fig. 4b)



Without light
Fig.4a



With light
Fig.4b

USE IN ALL SEASONS

Always ensure fan is set to 'OFF' and blades are still, prior to changing direction of blades.

Reverse switch on fan should ideally be set on 'FORWARD' (down position) during warmer season to move blades in a clockwise direction & 'REVERSE' (up position) during cooler seasons to make the fan rotate in an anticlockwise direction (See Fig.5)

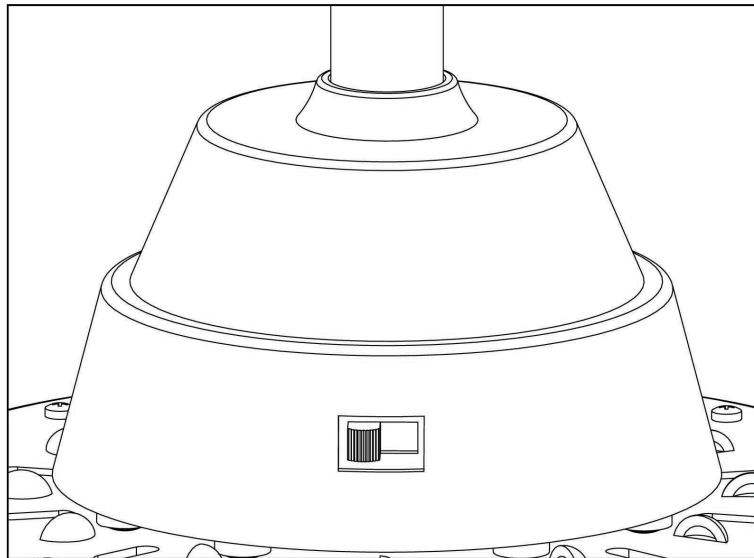


Fig.5

HOW TO REMOVE THE SHADE (Version with Light)

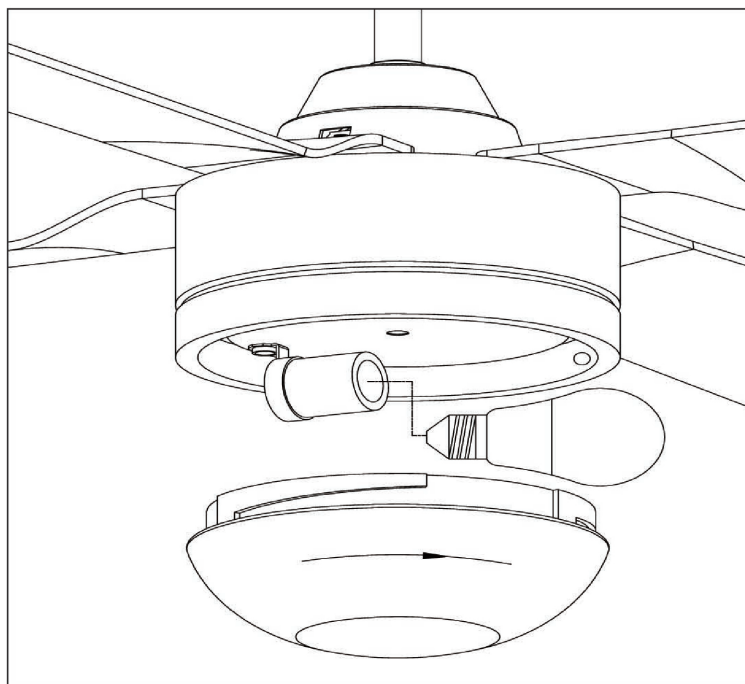
Remove the Lamp Shade carefully as shown (See Fig.7). Turn anticlockwise to remove and clockwise to tighten the lampshade.

Only 1 x 60W (MAX) CFL bulbs shall be used. Insert the CFL bulb in the holder

(See Fig.8). Always use a pair of gloves or keep your hands clean when installing or replacing CFL bulbs.

Keeping the globe clean is important and the lifetime of a dirty globe may be shorter than a cleaner globe.

CAUTION: Make sure the power to the fan is not on when inserting light globes (globes not included with the fan).



WIRING INSTRUCTIONS

