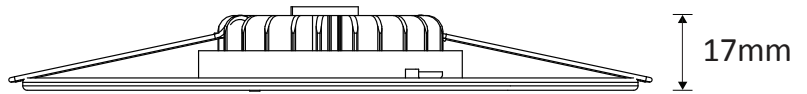


PLEASE READ THESE INSTRUCTIONS CAREFULLY BEFORE INSTALLATION.
PLEASE RETAIN INSTRUCTIONS FOR FUTURE REFERENCE.

Tradetec Slimfire LED D40 Emergency Light - TLSE23W

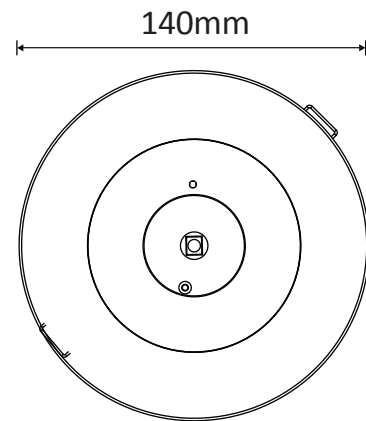
PRODUCT FEATURES

- 1 year replacement warranty
- Recessed emergency light
- NiMH battery
- Power pack complete with flex and plug
- LED charge status display



INSTALLATION

1. This unit **MUST** be installed and wired by a qualified electrical contractor.
2. Disconnect mains supply prior to wiring.
3. Remove the Slimfire emergency light from its packaging.
4. Cut a suitable hole in the ceiling for the unit ensuring no positions are under joists, cables, pipes etc.
5. Feed the battery and control pack assembly through the ceiling cut out and secure them to a suitable location within the ceiling.
6. Connect flex and plug to the supply socket.
7. Check operation of the unit to ensure that the installation was successful. Allow a few minutes to charge the battery, then press the test button located on the front face of the Slimfire. Press the test button in for a few seconds and observe the operation of the lamp switching from mains to the emergency mode. If the lamp on emergency mode lights up, the test is successful. After this, press test button again and if the lamp does not light up check the supply and the connections.



COMPLIANCE

The Emergency Exit has been tested to comply with relevant Australian/New Zealand standards.

- AS/NZS 60598.2.1:2014
- AS/NZS 60598.1:2011
- Approval No. GMA-501968
- AS 2293

SAFETY

Installation of Tradetec Slimfire must follow S.A.A standards and meet local Authority regulations. A fully qualified and licensed electrician lawfully **MUST** carry out installation. Means for disconnection must be incorporated in the fixed wiring in accordance with wiring rules.



PLEASE READ THESE INSTRUCTIONS CAREFULLY BEFORE INSTALLATION.
 PLEASE RETAIN INSTRUCTIONS FOR FUTURE REFERENCE.

Tradetec Slimfire LED D40 Emergency Light - TLSE23W

OPERATIONAL INFORMATION

Voltage (V)	~230V
Frequency (Hz)	50Hz
Max Ambient Temp	40°C
Class	2
Duration	180min
IP Rating	IP20
Emergency Classification	D40
Mounting Type	Recessed Mounting
Wiring	Flex&Plug
Lamp Power	2W(D40)
Avg. Circuit Power	0.45W
Max. Circuit Power	3W

ORDERING INFORMATION

Code	TLSE23W
Description	Slimfire
Barcode Number	9312375505600

BATTERY

Battery Type	NiMH
Battery Voltage	3.2V
Charging Time	16 Hours
Charging Type	Variable

CONSTRUCTION AND DIMENSIONS

Body	PC
Dish	PC
Cut Out	74-80mm

CLASSIFICATION TABLE

Lux	Classification	Mounting Height (M)															
		2.1	2.4	2.7	3	3.3	3.6	4	4.5	5	6	7	8	9	10	15	20
0.2	D40	5.04	5.64	18.36	18.84	19.32	19.8	20.28	20.76	21.24	21.72	5.04	21.84	21.48	20.76	9.24	
0.5	D40	12.12	12.96	12.96	13.2	13.44	13.56	13.68	13.8	113.8	13.32	12.24	10.32	6.24			
1	D40	9.24	9.48	9.6	9.72	9.72	9.48	9.12	8.64	5.76	1.32						