

DEFENDER



20W Exterior Twin LED Security Light With Sensor



IP Rating



COB LED Technology



Replacement Warranty



MLXD3452MS



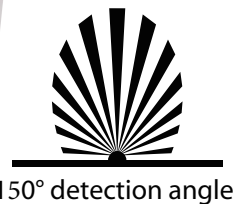
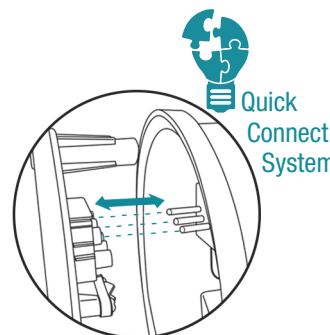
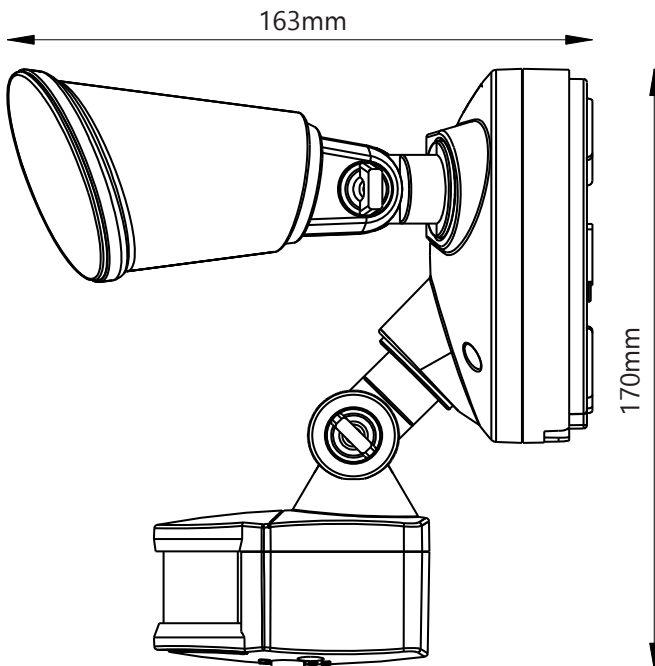
MLXD3452WS

FEATURES

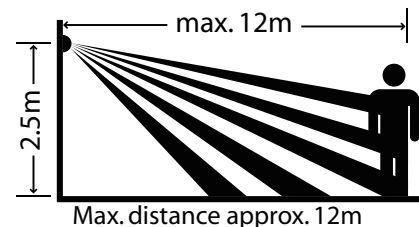
- /// 2 Years replacement warranty
- /// Durable ABS & die-cast construction
- /// PIR Sensor
- /// Adjustable time delay, lux level & sensitivity
- /// Vertical & horizontal adjustable heads
- /// Low heat output
- /// Quick connect system for fast & easy installation

TECHNICAL INFORMATION

- Power:** 20W (2 x 10W)
- Voltage:** 220-240V AC
- Colour Temperature:** Tricolour 3000K, 4000K or 5000K
- Lumens:** 1800 - 2000lm
- Size:** 163mm x 170mm x 177mm
- Beam Angle:** 100°
- IP Rating:** IP54
- Approx Lamp Life:** >25000H



150° detection angle



Max. distance approx. 12m