



Warranty

**60W AC 1270MM (50") 3 ABS BLADE CTC CEILING FAN  
WITH WALL CONTROLLER - WITH OR WITHOUT LED LIGHT  
MFF133MM/MFF1333MM**

\*3 year in-home + additional 3 years on the motor only.



- Powerful and efficient 60W AC motor
- Sleek low profile hugger design for homes with low ceilings clearance
- Steel motor housing with 3 precision ABS moulded, pre balanced aero dynamic blades with 17° blade pitch for maximum air movement performance
- Includes 3 speed wall controller
- Reversible summer-winter function
- Hangsure angle canopy up to 15° degree maximum ceiling rake pitch
- Low noise operation
- Suitable for indoor and covered outdoor installation
- Quick connect wiring and fittings for easy installation



AC Motor



Airflow Capacity  
10,200m<sup>3</sup>/hr



3 Speed  
Wall Controller



Indoor Cover  
Outdoor Use



Tropical  
Rated



Tricolour



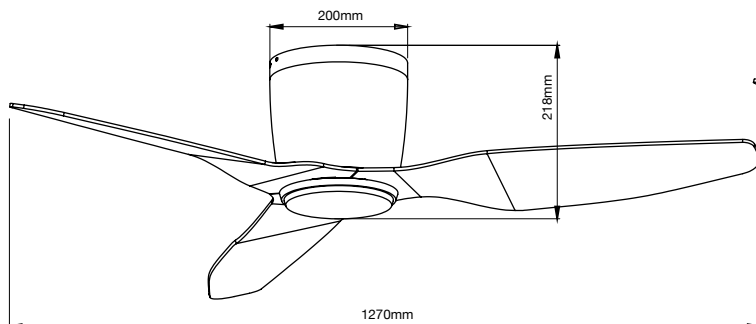
LED Lifetime  
35,000  
HOURS



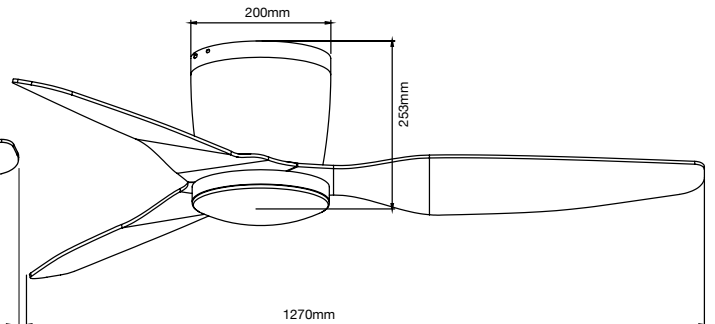
Light Output  
1650lm

**DIMENSIONS**

Without light



With LED light



## 60W AC 1270MM (50") 3 ABS BLADE CTC CEILING FAN WITH WALL CONTROLLER - WITH OR WITHOUT LED LIGHT

### FEATURES

- Powerful and efficient 60W AC motor
- Sleek low profile hugger design for homes with low ceilings clearance
- Steel motor housing with 3 precision ABS moulded, pre balanced aero dynamic blades with 17° blade pitch for maximum air movement performance
- Includes 3 speed wall controller
- Reversible summer-winter function
- Hangsure angle canopy up to 15° degree maximum ceiling rake pitch
- Low noise operation
- Suitable for indoor and covered outdoor installation
- Quick connect wiring and fittings for easy installation



### SPECIFICATIONS

|                                      |   |
|--------------------------------------|---|
| <b>Model name</b>                    | Flush   |
| <b>Model numbers</b>                 | MFF133MM (no light)<br>MFF1333MM (with light)   |
| <b>Power (wattage)</b>               | 60W   |
| <b>Motor</b>                         | AC  |
| <b>Voltage</b>                       | 220-240V/50Hz   |
| <b>Blade/fan material</b>            | ABS/Metal   |
| <b>Control</b>                       | Complete with 3 speed wall controller   |
| <b>Installation location</b>         | Suitable for indoor and covered outdoor installation                                    |
| <b>Fan diameter</b>                  | 1270mm (50")  |
| <b>Height of fan</b>                 | 218mm (no light)<br>253mm (with light)  |
| <b>Number of blades</b>              | 3 ABS blades  |
| <b>Blade degree pitch</b>            | 17°   |
| <b>Summer winter mode</b>            | Yes   |
| <b>Hangsure canopy</b>               | 15° Maximum ceiling rake  |
| <b>Timer</b>                         | Remote control adaptable to MPREMS, MPAPP & MPLCDS remote controllers (sold separately) |
| <b>Air movement m<sup>3</sup>/hr</b> | 10,200m <sup>3</sup> /hr  |
| <b>Light model only</b>              |   |
| <b>Light wattage</b>                 | 15W   |
| <b>Tricolour</b>                     | Tricolour switchable 3000k, 4000k or 5000k  |
| <b>Lumens</b>                        | ≥1650lm   |
| <b>Dimmable</b>                      | 3 Stage step dimming function   |
| <b>Rated LED lamp life</b>           | 35,000 hrs  |

### INSTALLATION

|                     |  |
|---------------------|--|
| <b>Installation</b> | Certified licensed electrician required                            |
| <b>Warranty</b>     | 6 year warranty (3 year in-home + additional 3 years on the motor) |

\*For further information regarding warranty terms and conditions, please refer to enclosed warranty statement. Warranty is void unless installed by a licensed electrician.

### SHIPPING

|                          |                          |
|--------------------------|--------------------------|
| <b>Packaging size</b>    | L636mm x H275mm x W235mm |
| <b>Gross weight</b>      | 6.6 Kg                   |
| <b>Net weight</b>        | 5.6 Kg                   |
| <b>Cubics per carton</b> | 0.041 CBM                |

### AVAILABLE COLOURS



| Model  | Colour     | Barcode         |
|--------|------------|-----------------|
| MFF133 | Matt Black | 9 312375 902317 |

| Model   | Colour     | Barcode         |
|---------|------------|-----------------|
| MFF1333 | Matt Black | 9 312375 902324 |