

## 35W 1650MM (65") DC CEILING FAN 8 BLADES WITH REMOTE CONTROL

### Model Numbers

MAF168MR - Matt Black  
MAF168WR - White  
MAF168BR - Brushed Nickel

### Features

- Brushless quiet and efficient 35W DC motor
- Robust designed ideal for indoor and covered outdoor applications
- Aluminium body and canopy with 8 aluminium blades
- Air movement up to 14,400m<sup>3</sup>/hr
- Blade pitch 17°
- Hangsure canopy up to 15° maximum
- Fully reversible for summer and winter mode from remote control
- Supplied with 5 speed remote control and timer with up to 8 hour timer control mode



Warranty



DC Motor



Airflow Capacity  
14,400m<sup>3</sup>/hr



Summer/Winter  
Reverse  
Function



Blade Pitch



Hangsure  
Canopy

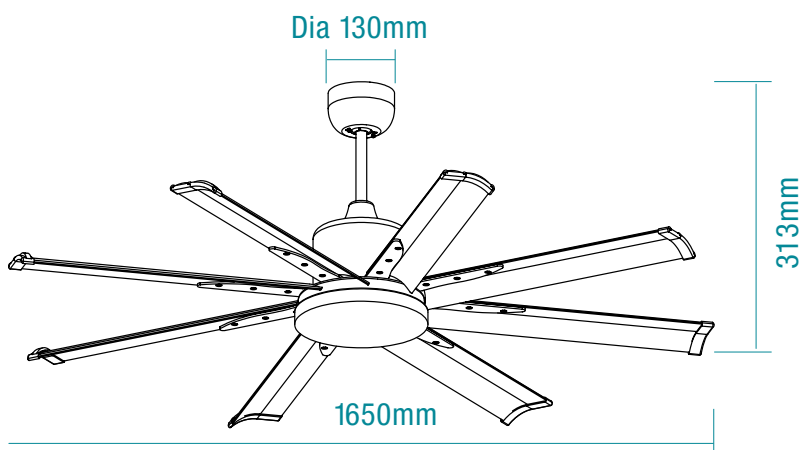


Indoor Cover  
Outdoor Use



Tropical  
Rated

## DIMENSIONS



## 35W 1650MM (65") DC CEILING FAN 8 BLADES WITH REMOTE CONTROL

### SPECIFICATIONS

<b>Model Name</b>	Albatross Mini
<b>Model Numbers</b>	MAF168MR - Matt Black MAF168WR - White MAF168BR - Brushed Nickel
<b>Air Movement m<sup>3</sup>/hr</b>	14,400m <sup>3</sup> /hr
<b>Motor</b>	DC
<b>Power Wattage</b>	35W
<b>Voltage</b>	220-240V 50Hz
<b>Materials / Blade</b>	Aluminium body and canopy
<b>Number of Blades</b>	8 blades
<b>Blade Pitch</b>	17°
<b>Hangsure Canopy</b>	Maximum 15°
<b>Control</b>	Supplied with 5 speed remote control and timer

### INSTALLATION

<b>Installation</b>	By licensed electrician only
<b>Warranty</b>	6 year replacement warranty

\*3 year in-home + additional 3 years on the motor.  
For further information regarding warranty terms and conditions,  
please refer to enclosed warranty statement.  
Warranty is void unless installed by a licensed electrician.

### SHIPPING

<b>Packaging Size</b>	390(H) x 290(W) x 630(L)mm (MAF168MR) 390(H) x 290(W) x 630(L)mm (MAF168WR) 390(H) x 290(W) x 630(L)mm (MAF168BR)
<b>Carton Quantity</b>	1
<b>Gross Weight</b>	11.5Kg (MAF168MR) 11.5Kg (MAF168WR) 11.5Kg (MAF168BR)

### AVAILABLE COLOURS






 Matt Black




 White



 Brushed Nickel

Model	Colour	Barcode
MAF168MR	Matt Black	 9 312375 903116
MAF168WR	White	 9 312375 903123

Model	Colour	Barcode
MAF168BR	Brushed Nickel	 9 312375 903130