

# FORTRESS II



## 30W LED Twin Security Light With PIR Sensor



Quick  
Connect  
System



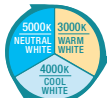
Replacement  
Warranty



Energy  
Efficient



IP  
Rating



MLXF3452MS



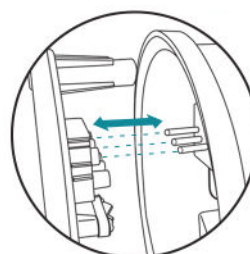
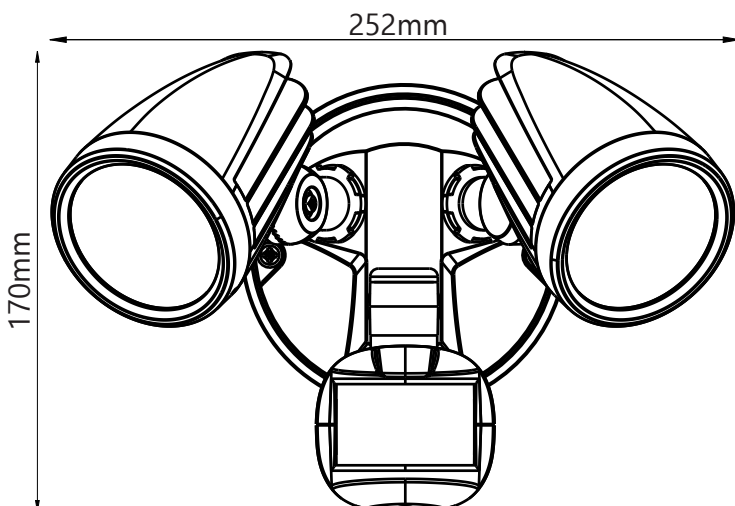
MLXF3452WS

### FEATURES

- /// 30W twin head COB LED with PIR sensor
- /// New quick connect system
- /// Tricolour switchable 3000k, 4000k or 5000k
- /// Vertical & horizontal adjustable heads
- /// Wall or ceiling mountable

### TECHNICAL INFORMATION

**Power:** 30W (2x15W)  
**Voltage:** 220-240V AC  
**Colour Temperature:** Tricolour 3000K, 4000K or 5000K  
**Lumens:** 2400 - 2500lm  
**Material:** Cast aluminium / polycarbonate  
**Size:** 170mm x 252mm x 190mm  
**Beam Angle:** 100°  
**Detection Angle:** Max. 150°  
**Detection Distance:** Max. 12m  
**Adjustable Time:** 10±5 seconds to 4±1 minutes  
**LUX:** From daylight to night  
**IP Rating:** IP54  
**Approx Lamp Life:** >25000H  
**Operating Temp:** -20°C to +40°C  
**CRI:** Ra>80



Quick  
Connect  
System