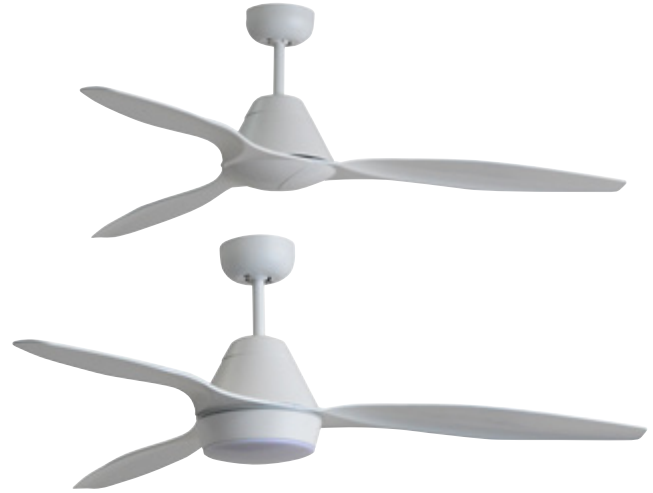




Warranty

**65W AC 52" 1320MM 3 BLADE  
CEILING FAN WITH ABS BLADES  
MTF133MM/MTF133WS/MTF1333MM/MTF1333WS**

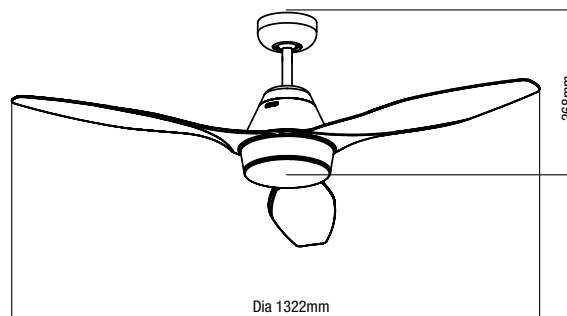
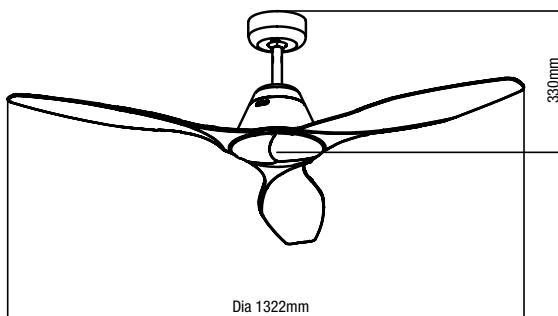
\*3 year in-home + additional 3 years on the motor only.



- Aero-dynamic body & ABS blade design
- Includes 3 speed wall controller and light switch
- AC motor
- Hang sure canopy bracket to suit up to 15° ceiling rake
- 15W Tricolour LED Light (for light models only)
- Summer winter reversible
- Remote control adaptable (sold separately)

Energy Efficient	Quiet Operation	Indoor Use Only	Summer/Winter Reverse Function	Tropical Rated	Quick Connect System	Power Wattage	Hangsure Canopy	ABS Blades	Tricolour (light models only)	Airflow Capacity 10,500m³/hr	3 Speed Wall Controller

**DIMENSIONS**



## 65W AC 52" 1320MM 3 BLADE CEILING FAN WITH ABS BLADES

### FEATURES

- Premium long life AC motor
- Low noise making the fan ideal for bedrooms
- ABS blades
- Non-rusting and anti-corrosive, making it suitable for indoor/covered outdoor use
- Motor is assembled in a computerised production line with closely monitored testing to eliminate any performance issues such as unwanted wobbling
- Reversible airflow option for summer or winter use
- Quick connect wiring and fittings for easy installation
- Hang-sure vibration and noise reducing canopy to suit up to a 15° ceiling rake pitch
- Includes 3 speed wall controller with light switch
- 15Watt 1300 Lumens, with Tricolour SMD LED 3000K, 4000K, 5000K colour switchable (for light models only). Remote control adaptable with MPREMS, MPLCDS and MPAPP remotes (sold separately).



### INSTALLATION

<b>Installation</b>	Certified licensed electrician required
<b>Warranty</b>	6 year warranty (3 year in-home + additional 3 years on the motor only)

\*For further information regarding warranty terms and conditions, please refer to enclosed warranty statement. Warranty is void unless installed by a licensed electrician.

### AVAILABLE COLOURS



Model	Colour	Barcode
MTF133MM	Matt Black	9 312375 902065
MFF133WS	White Satin	9 312375 902027

Model	Colour	Barcode
MTF1333MM	Matt Black	9 312375 902072
MTF1333WS	White Satin	9 312375 902041

### SPECIFICATIONS

<b>Model name</b>	Triumph
<b>Model numbers</b>	MTF133MM, MTF133WS (no light) MTF1333MM, MTF1333WS (with light)
<b>Power (wattage)</b>	65W
<b>Voltage</b>	240V/50hz
<b>Speeds</b>	3
<b>Remote adaptable</b>	Yes Note: remote is not included with this fan
<b>Wall control switch</b>	3 speed wall controller with light switch
<b>Motor</b>	AC
<b>Easy quick connect</b>	Yes
<b>LED light wattage</b>	15W
<b>Diameter</b>	52" or 1320mm
<b>No. of blades</b>	3
<b>Blade pitch</b>	12°
<b>Ceiling rake pitch</b>	15°
<b>Blade/fan material</b>	ABS/steel
<b>Anti corrosive resistant</b>	Yes
<b>Height of fan (canopy to the bottom of the fan)</b>	330mm
<b>Maximum airflow rating*</b>	180m3/min
<b>Speed (RPM)</b>	High: 60W/190 Medium: 40W/150 Low: 25W/110

### LIGHT MODELS

<b>Dimmable</b>	3 stage step dimming function
<b>Light type</b>	Tricolour SMD LED
<b>Tricolour LED</b>	Tricolour switchable 3000K, 4000K or 5000K
<b>Lumens</b>	1300lm
<b>CRI</b>	>80
<b>LED light wattage</b>	15W

### SHIPPING

<b>Packaging size</b>	700 x 290 x 238mm
<b>Gross weight</b>	5kg
<b>Pallet qty</b>	48 Pieces