



Governor SERIES

70W AC Motor

Ceiling Fan Installation Manual

with and without Light Models

Industrial Robust
Design



N974

Models: MGF153OT, MGF153TS, MGF153WS, MGF1533OT, MGF1533TS, MGF1533WS
OT=Oil Rub Bronze /Teak, WS=White Satin/White Satin, TS=Titanium Satin / Titanium Satin

Remote Control Compatible

**NOTE: REMOTE CONTROLLER IS NOT INCLUDED WITH THIS MODEL BUT CAN BE
PURCHASED FROM YOUR RETAILER**

Model No:(MPAPP) Prince Smart Remote Controller Kit

General Information and Safety Instructions

Please read instructions before commencing installation even if you feel you are quite familiar with this type of product.

THE CEILING FAN MUST BE INSTALLED BY A QUALIFIED ELECTRICIAN , AND AN ELECTRICAL CERTIFICATE MUST BE ISSUED ON COMPLETION OF THE INSTALLATION.

- This appliance **MUST** be installed by a Qualified Electrical Contractor in accordance with the local regulations , and all local, state and national electrical codes. Ant alterations or additions to building wiring must be completed by a licensed electrical mechanic, or a person authorised by legislation to work on the fixed wiring of any electrical installation.
The ceiling fan must be connected to a 240V AC 50Hz power supply.

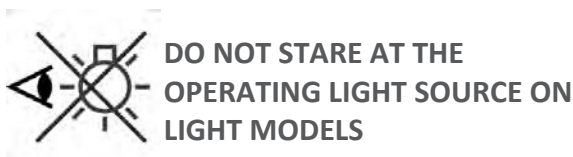
- All electrical work must only be undertaken after disconnection of the power by removing fuses or turning off the electrical breaker, to ensure all pole isolation of the electrical supply.
- The fan must be earthed.
- The fan must be installed so that the blades are at least 2.1 metres above the floor.
The structure that the ceiling fan is connected to must be capable of supporting a weight of at least 45kg.
- The fixing must be able to support the moving weight of the fan and must not twist or work loose.
- Make sure the installation site will not allow the rotating fan blades to come into contact with any object and that there is a minimum clearance of 150mm (6") from the blade tip to the wall or ceiling. Please note that the bigger this clearance is the better the airflow from your fan will be.
- This fan is tropical rated and can be used under cover in an outdoor covered alfresco / patio , must not be exposed to direct WATER or MOISTURE.
- DO NOT connect the fan to a dimmer switch . This may cause damage to the motor . ONLY use the Martec :MAPP Remote Control.
- This is not a DIY product.
- This fan is to only be used under cover / indoor domestic and should not be used in commercial , trade or industrial purposes.
- This appliance is not intended for use by persons (including children) with reduced physical , sensory or mental capabilities, or lack of experience and knowledge, unless they have been given supervision or instruction concerning use of the appliance by a person responsible for their safety.
- The fan must be stopped before reversing the fan direction. This will prevent any damage to the motor of this fan.
- Do not insert anything into the blades whilst they are spinning. This will damage the blades and upset the balance of the fan causing the unit to wobble.
- After the fan is completely installed make sure that all base and fan blades fixings are secured and tightened to prevent any problems.
- Because the fan's natural movement, some connections may loosen . Check the support connections brackets and blade attachments twice a year to make sure they remain secured.
- An all-pole disconnection incorporated in the fixed wiring is to be provided, such as an all pole switch or a supply cord fitted with a plug.
- After installation , fan blades must be balanced using provided balance kit.

IMPORTANT NOTE

The important safeguards and instruction given in this manual are not meant to cover all possible conditions and situations that may occur. It must be understood that common sense , caution and care are factors which cannot be built into the product. The persons caring for and using the unit must supply these factors.

FAULT FINDERS

- Always check the "Troubleshooting Checklist" included in this booklet before seeking warranty claim.
- Mechanical noise may be noticed on installation. Allow at least 8 hours settling in period.
- Some fans may wobble more than others , even if the are the same model. This does not necessary indicate a fault.



Cleaning and Maintenance

Periodic cleaning of your fan is the only maintenance required . All blades will eventually need cleaning to remove dust.

WARNINGS

Only persons with the necessary skill should attempt the cleaning. Do not allow children or infirm persons to attempt the cleaning/ Always be careful on ladders if one is to perform the cleaning of the fan. Never lean on the blades with your weight. Do not use water or damp clothes.

Ensure the power is OFF to the fan via the wall switch or main switch board.

Ensure the blades are stationary.

Wipe each blade and the motor body with a lint free dry cloth to remove dust.

It is expected that a small quantity of dust will be removed from the fan during this process.

If the diffuser requires cleaning for light models , rotate the diffuser approximately 50m anti clockwise to remove it.

Then wipe the inside of the diffuser, Rotate back on to secure it back onto the fan.

NOISE

The manufacturer warranty covers actual faults that may develop , but NOT minor compliants . e.g. hearing slight noise from motor in operation - ALL ELECTRICAL MOTORS ARE AUDIBLE TO SOME EXTENT, more so, when the fan is operating at low speed.

WOBBLE

- Ceiling fans are mounted very securely on steel brackets with rubber cushioning or with ball joints to allow free movement.
- Ceiling fans are designed to move during operation because they are not generally rigidly mounted - if they were , they could generate excessive ceiling vibration and stress on their mountings.
- Movement of a couple of centimeters is quite okay and does not suggest the fan wil fall down.
- Please note that all ceiling fans are not the same , even in the same model-some may move more or less than others.

WARNINGS

If unusual oscillating movement is observed , immediately stop using the ceiling fan and contact Martec Australia.

NORMAL WEAR AND TEAR

Threaded components working slightly loose or blades carriers even bent due to vigorous cleaning or bumping can cause wobble and noise. THIS IS NOT COVERED UNDER WARRANTY but a little care and maintenance can reduce or prevent this problem.

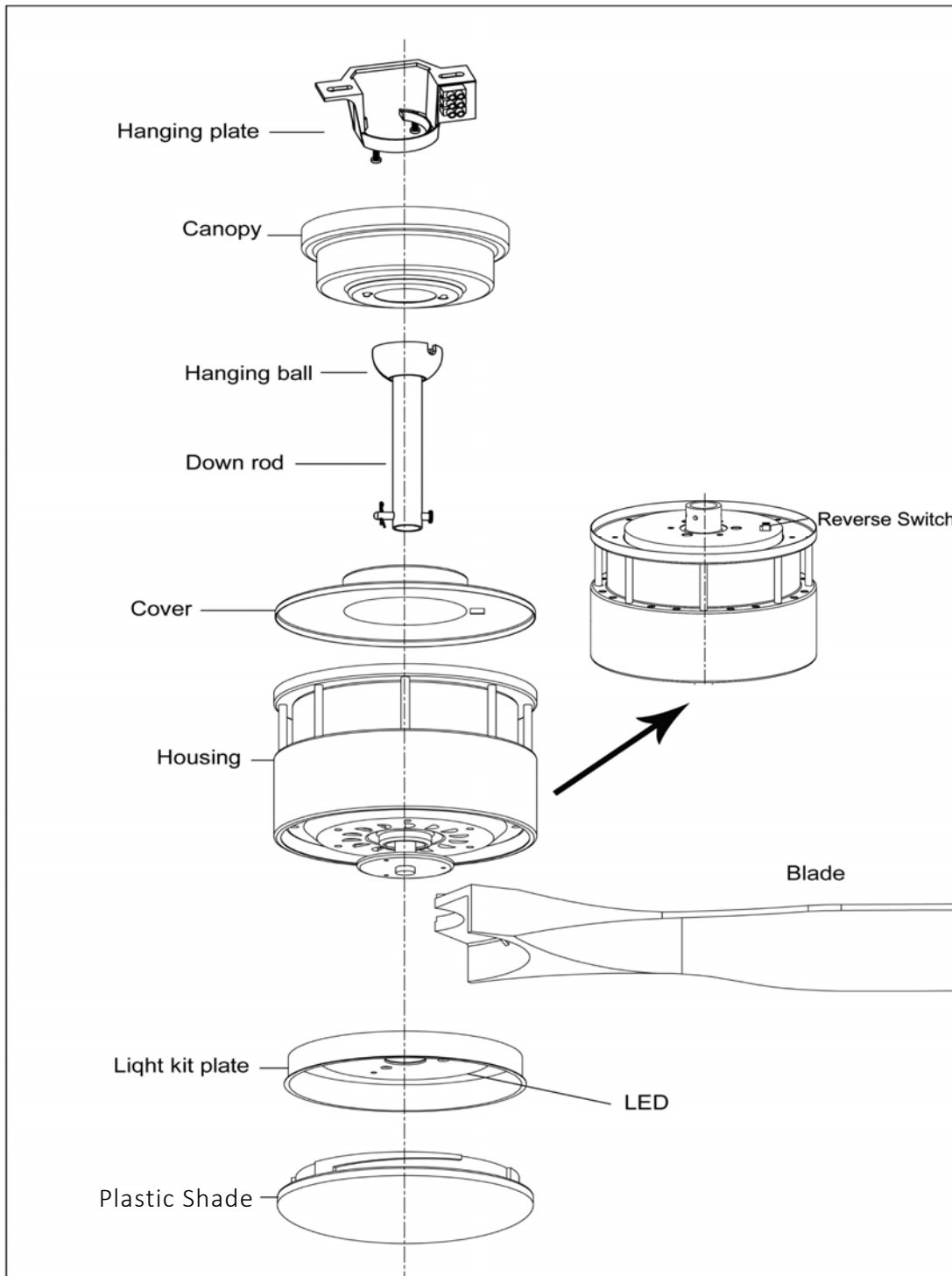
FAN CHARACTERISTICS

Characteristics of normal operation	Characteristics of faulty operation
Remote controls operate expected (Sold separately) Fan speeds change as expected Light comes on/off as expected Minor operating noise	Excessive noise from motor
Fan wobbles slightly at high speed	Remote control handpiece won't work (Sold Separately Martec Part No: MAPP)
Fan makes whooshing air sound during operation	Fan light flickers or flashes (For Light Models)
Light comes on immediately (For light models)	

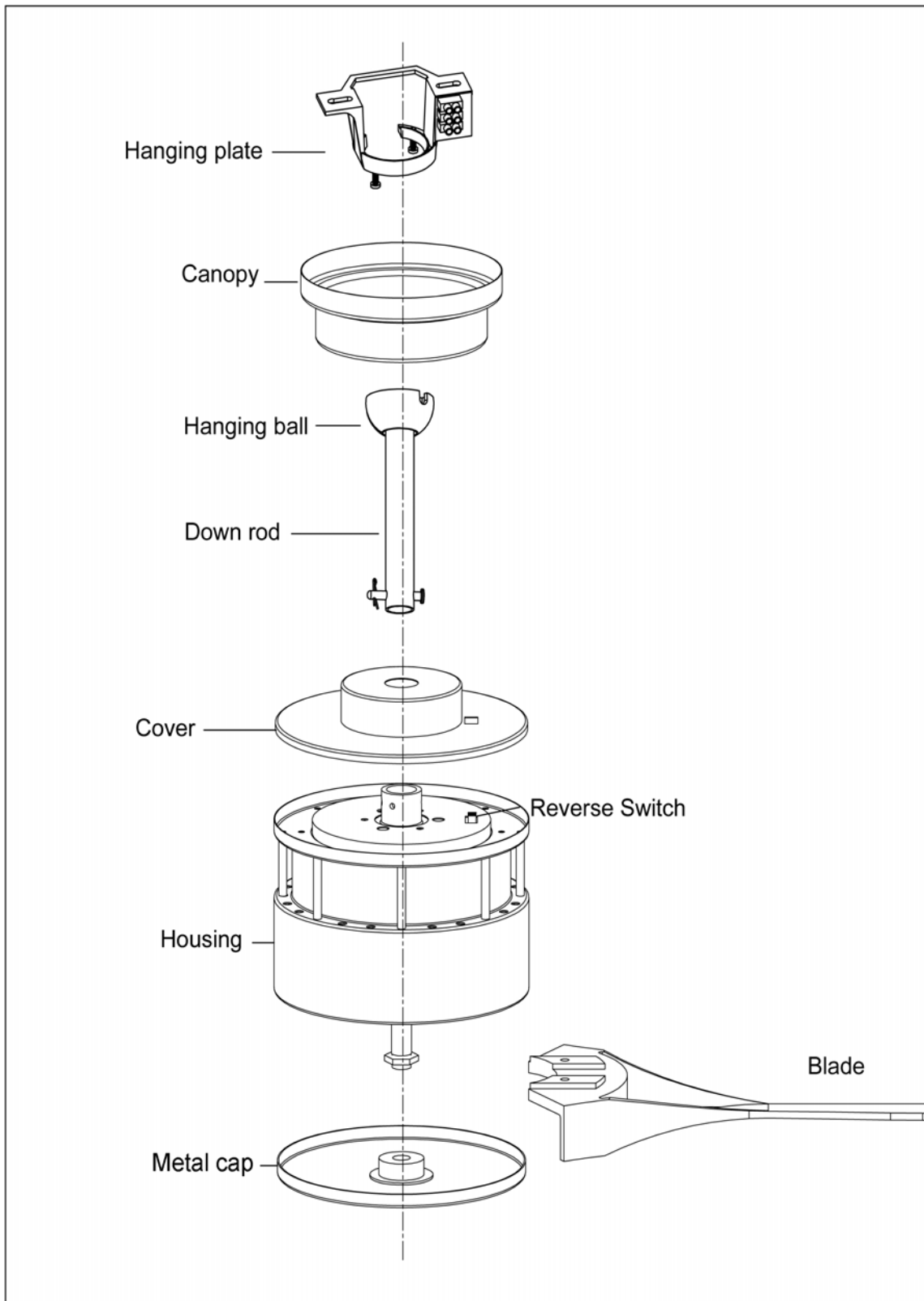
CONTENTS LIST:

DESCRIPTION	QUANTITY
Motor assembly	1
Instruction manual	1
Screw kit	1
Balancing kit	1
Hanging bracket	1
Wall control kit	1
Blades	3

With Light model



Without Light model



HOW TO ASSEMBLE

Secure the hanger bracket to ceiling beam or a suitable piece of timber inserted between the ceiling beams. Martec Pty Ltd recommends the bracket to be attached with two long screws as supplied within the package. There is a ball seat rubber cover need to be pressed into the bracket.(See Fig.1.)

Place circular shockproof gasket above the hanger bracket. Align the bracket and screw the hanger bracket to the ceiling tightly.(See Fig.2.)

Place fan into hanger bracket and align Ball Joint Slot with hanger bracket as illustrated.(See Fig.3.)

After wiring is completed, attach the canopy to the hanger bracket by pushing upwards and twisting anti-clockwise. Locate screws in keyholes and tighten., ensuring canopy is not touching the ball joint. (See Fig.4)

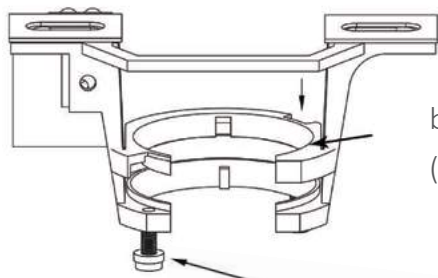


Fig.1

ball seat rubber cover
(Packed with hanger bracket)

Anti-vibration washer

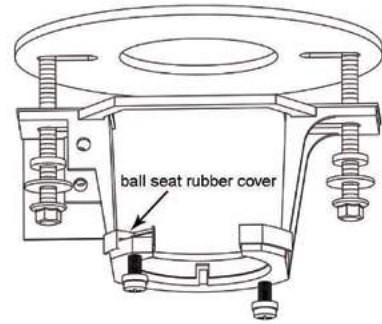


Fig.2

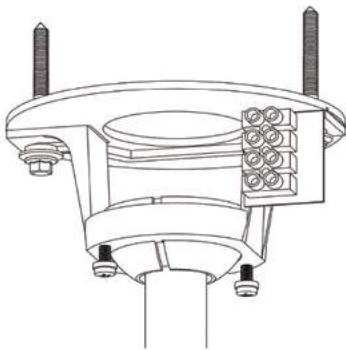


Fig.3



Fig.4

HOW TO INSTALL BLADES

Attach the blade to the top of the motor with two blade screws and washers provided. Tighten them securely.

Repeat this procedure for all blades. (See Fig.5)

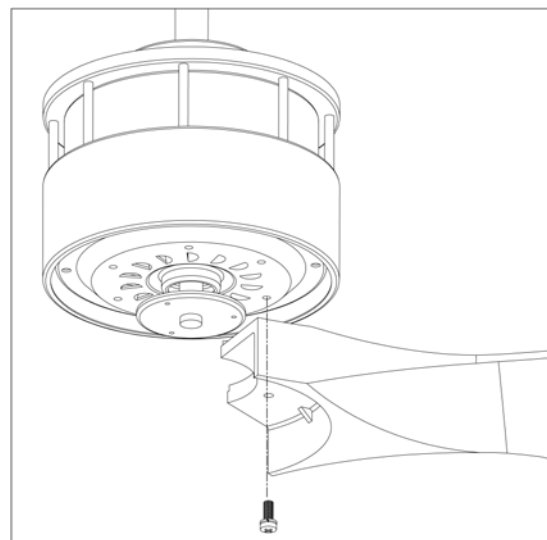


Fig.5

HOW TO INSTALL THE LIGHT KIT(Version with light model)

1. Remove 3 screws on the connective plate, align the holes, then lock back the 3 screws removed previously on the light kit .(See Fig.6.)
2. Connect the 2 ways plugs from the motor to the 2 ways plugs from the LED light kit . (See Fig.7.)

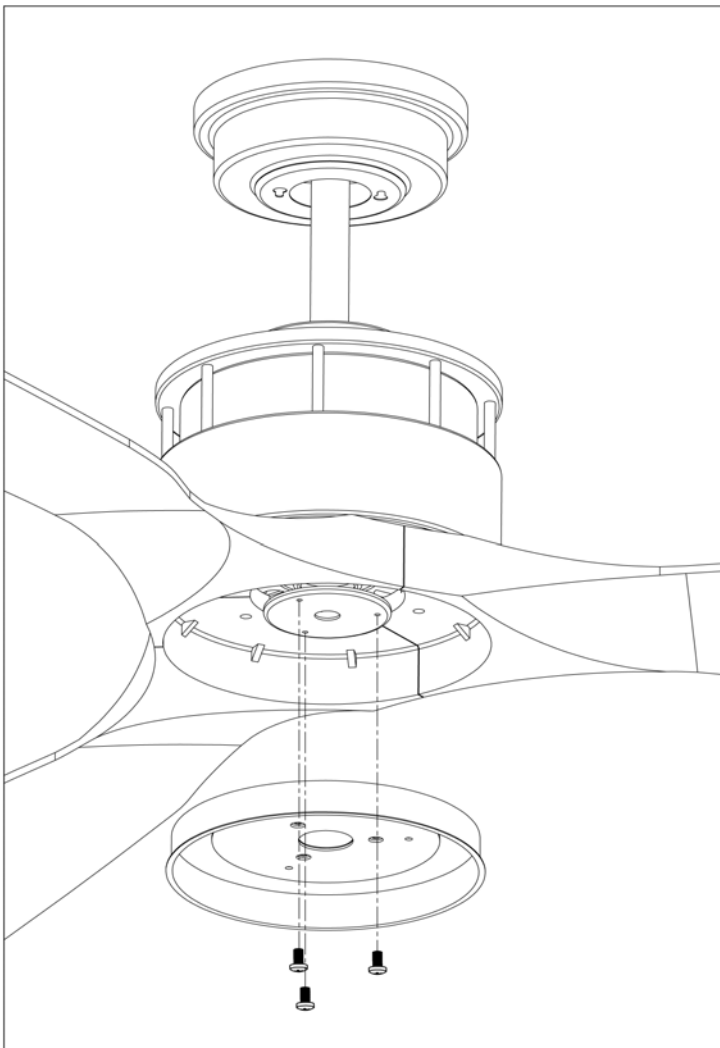


Fig.6

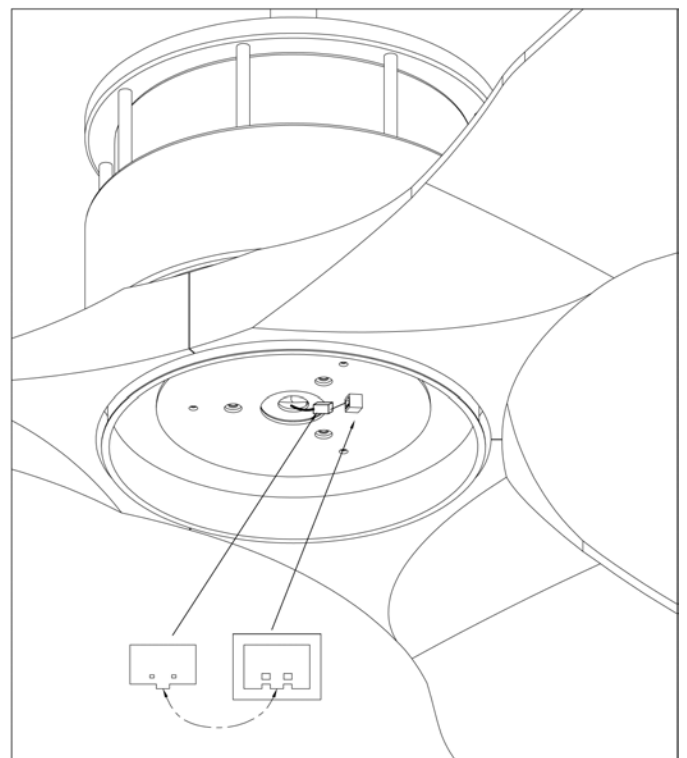
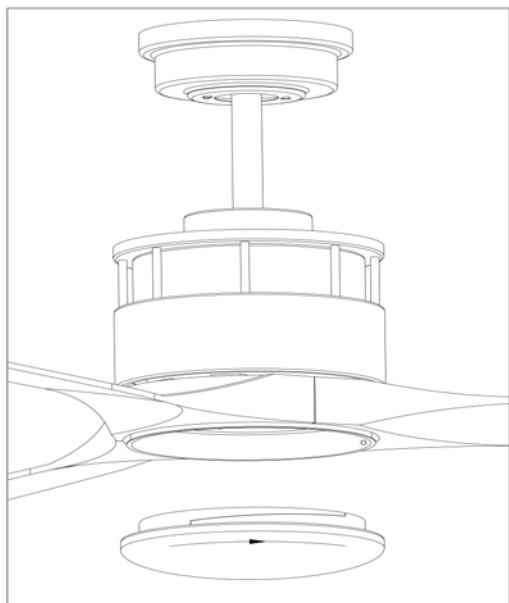


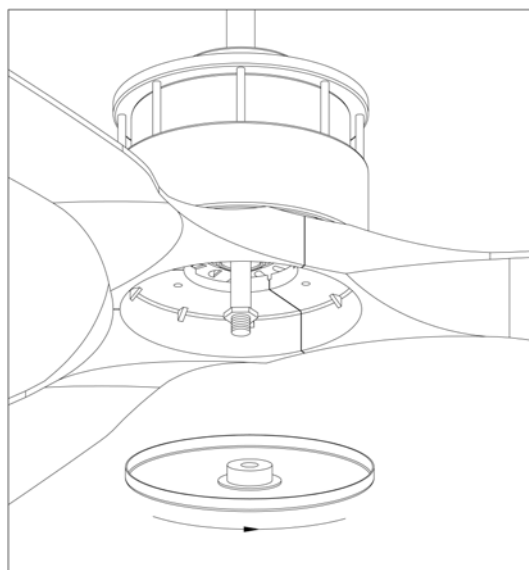
Fig.7

HOW TO INSTALL/REMOVE THE GLASS SHADE/METAL CAP

Align the shade as shown in the figures below, and place the Plastic shade/metal cap. Spin it clockwise. To remove turn the shade anti-clockwise.



With light



without light

Tricolour CCT (Colour changeable temperature)

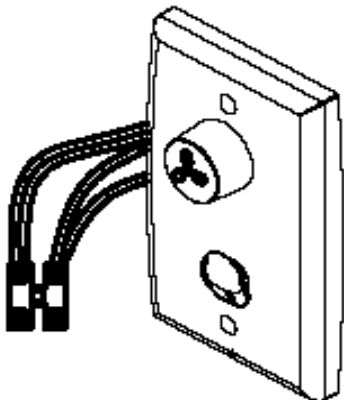
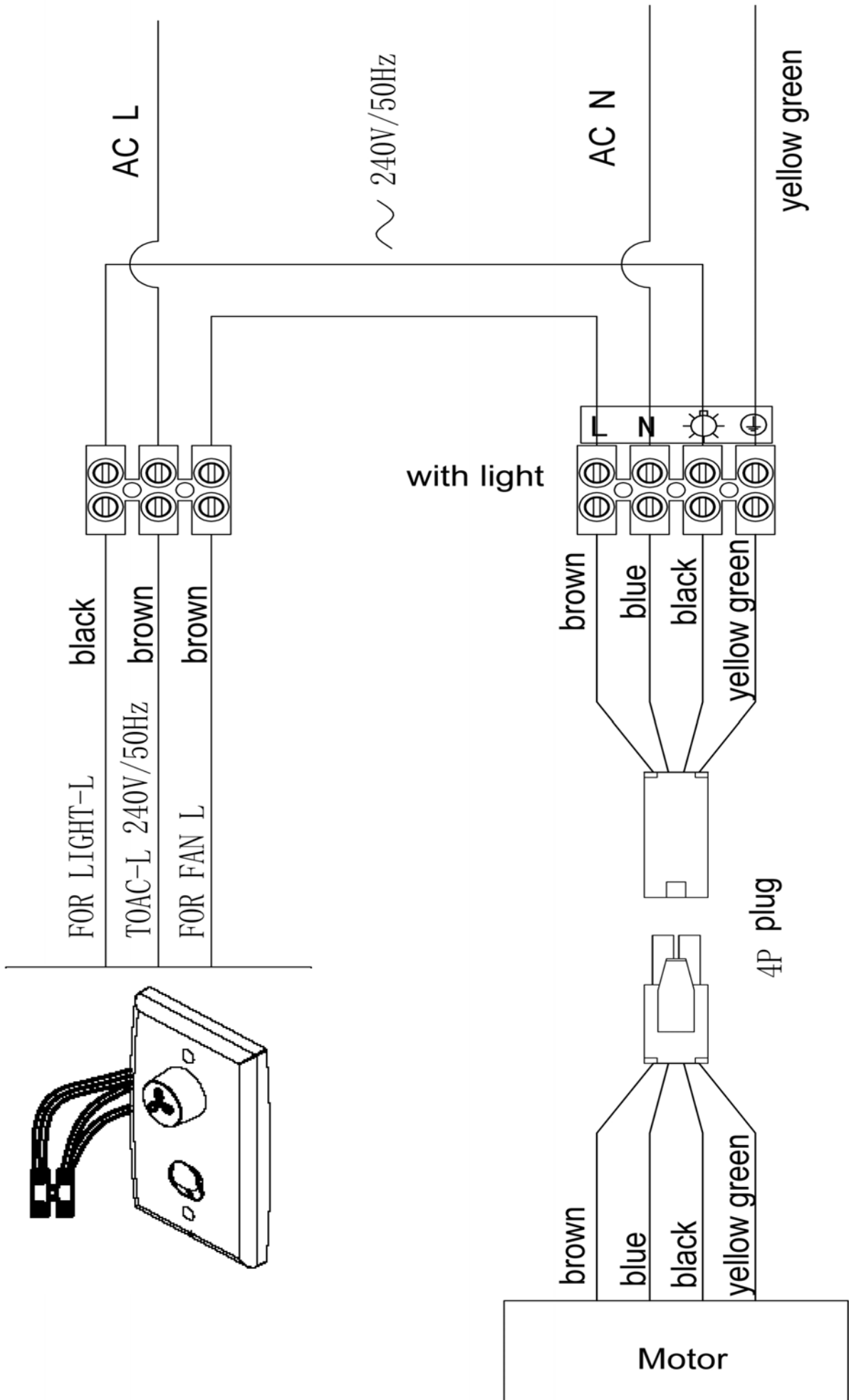
Please make sure the light switch is off before changing the colour temperature. Simply flick the switch on the LED plate (See Fig.5.) to select the desired colour temperature (3000K, 4000K or 5000K).



Fig.5

Dimming for LED Light Model

The Governer fan has a smart 3 step dimming LED light module which doesn't require a dimmable remote control or a wall dimmer. It only requires a normal on/off remote kit (MPREM) or a normal light wall switch (supplied as part of the wall controller in the box). Turn the switch on and the light will turn on. Flick the switch on/off within 1 second and the light output will dim down to approx. 50%, flick the switch on/off again and the light output will dim down to approximately 15%. The light kit has no memory function, it will turn on at 100% initially.



Trouble Shooting Checklist :

CAUTION: Before any adjustment are made , please ensure fan is **OFF** and has stopped spinning. Any non electrical troubleshooting must be performed by persons with adequate skills. If uncertain , please contact supplier . Always ensure the fan is turned off before cleaning or blade adjustments are made.

TROUBLE	PROBABLE CAUSE	SUGGESTED REMEDY
Fan will not start	<ul style="list-style-type: none"> A. Switchboard circuit breaker has blown. B. Loose wire connections to the fan. C. Remote control batteries are flat. 	<ul style="list-style-type: none"> A. Check circuit breakers. B. Electrician to check wiring. C. Replace batteries in remote control.
Fan wobbles	<ul style="list-style-type: none"> A. Fan blade are not horizontal to the ceiling. B. Blades screws are loose. 	<ul style="list-style-type: none"> A. Retighten all screws on blades . DO NOT make any adjustments by applying pressure up down on blades. B. Make sure all screws are tightened.
Fan sounds noisy	<ul style="list-style-type: none"> A. Loose fan blades. B. Ceiling fan not secured against ceiling correctly. C. Incorrect speed controller. 	<ul style="list-style-type: none"> A. Retighten all screws on fan. B. Retighten all screws in the hanging sure hang bracket to ceiling. C. Change speed controller
Mechanical noise	<ul style="list-style-type: none"> A. Fan has not settled in fully. 	<ul style="list-style-type: none"> A. Allow at least 8 hours settling in period.
Remote won't work	<ul style="list-style-type: none"> A. Transmitter and receiver may not be paired. B. Battery is flat. 	<ul style="list-style-type: none"> A. Follow the remote set up instructions to pair the transmitter and receiver. B. Replace the battery.
Light won't work. (Optional Extra)	<ul style="list-style-type: none"> A. Switchboard circuit breaker has blown. B. Loose wire connections to the fan. C. Remote control has flat battery. 	<ul style="list-style-type: none"> A. Check circuit breakers. B. Electrician to check wiring. C. Replace batteries in remote control.

Technical Data

Model No	Rated Voltage	Rated Power for Motor	Rated Power for Light	LED Light Type
Models: MGF153OT, MGF153TS, MGF153WS, MGF1533OT, MGF1533TS, MGF1533WS	240V AC 50Hz	70W	15W	SMD with Step Dimming Function