



EXHAUST FAN SERIES AVAILABLE IN TWO SIZES IN BOTH ROUND AND SQUARE OPTIONS, 250MM, 300MM WITH TRICOLOUR 12 WATT 800LM LED LIGHT OR WITHOUT LIGHT

MXFFR25W/MXFFS25W/MXFFR30W/MXFFS30W/MXFLFR25W/MXFLFS25W/MXFLFR30W/MXFLFS30W



- Models available with or without LED
- DIY or Hardwired models available in 250mm or 300mm
- Efficient long life ball bearing motor
- Ultra-quiet motor
- Low profile design
- Side duct outlet with draft stopper
- Turbo fan blade design for high efficient air-steam extraction
- Air extraction for model 250mm 290m³/hr and model 300mm 390m³/hr
- Side ducting access with built in draft stopper
- Includes IPX2 Water Resistant Rating (Protects from vertically dripping water)
- Modern ultra-low profile slimline design fascia to ceiling for easy cleaning
- DIY models come complete with 1 metre cord with 3 pin plug
- Housing fascia material made from ABS
- Easily removable grill for cleaning

* For Light models features: LED Light 12W with Switchable Tricolour LED 3000k, 4000k, 5000k, 800 Lumens, CRI>80

* DIY model models includes 1 metre meter flex and plug



IP Rating



Fully Concealed Motor Housing



Flex & Plug



Draft Stopper



High Extraction



Ultra Low Profile



Easy Side Ducting Access



High Performance Ball Bearing Motor



Tricolour

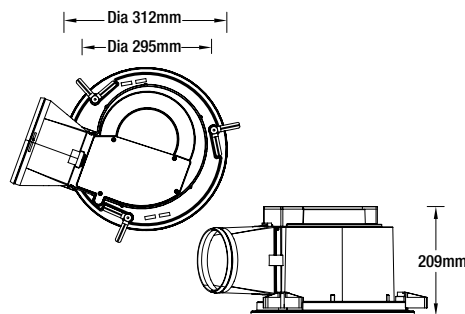
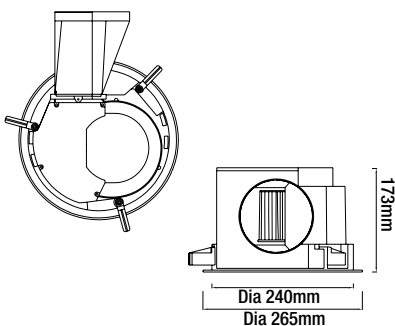
DIMENSIONS

AVAILABLE EXTRAS

FLOW 250MM - 125mm Duct Outlet Size

FLOW 300MM - 125mm Duct Outlet Size

Ducting



Aust/NZ Approval No. SAA-17276-EA

EXHAUST FAN SERIES AVAILABLE IN TWO SIZES IN BOTH ROUND AND SQUARE OPTIONS, 250MM, 300MM WITH TRICOLOUR 12 WATT 800LM LED LIGHT OR WITHOUT LIGHT

FEATURES

- Models available with or without LED
- DIY or Hardwired models available in 250mm or 300mm
- Efficient long life premium ball bearing motor
- Ultra-quiet motor
- Easy installation to ceiling using easy quick mount swivel clip to plaster
- Low profile fascia design
- Ideal for use in multi-storey apartments
- Side duct outlet with draft stopper
- Turbo fan blade design for high efficient air-steam extraction
- Air extraction for model 250mm 290m³/hr and model 300mm 390m³/hr
- Side ducting access with built in draft stopper
- Includes IPX2 Water Resistant (Protective to splashing water)
- DIY models come complete with 1 metre cord with 3 pin plug
- Housing fascia material made from ABS
- Easily removable grill for cleaning
- Fitted with easy ducting vent with draft back draft stopper
- Easy Cut Out template included
*(Ducting not included)

SHIPPING: FLOW 250

Packaging size	335×318×226mm
Gross weight	2kg
Pallet qty	80

SHIPPING: FLOW 300

Packaging size	405×295×395mm
Gross weight	2.05kg
Pallet qty	60

SPECIFICATIONS

Rated Power Input/Frequency:	220-240-AC-50Hz
Motor Wattage:	MXFFR30W: 60W DIY model MXFFS30W: 60W DIY model MXFLFR30W: 72W Hardwire (With 12W LED Light) MXFLFS30W: 72W Hardwire (With 12W LED Light) MXFFR25W: 45W DIY model MXFFS25W: 45W DIY model MXFLFR25W: 45W Hardwire MXFLFS25W: 45W Hardwire
Motor:	Ball bearing
IP Rating:	IPX2
LED Wattage:	12W (For light models only)
LED Lumens:	800lm (For light models only)
Colour temperature:	3000k, 4000k, 5000k
CRI:	≥ 80
Material - Housing / Fascia:	ABS
Air delivery performance m³/hr:	MXFFR30W: 390m ³ /hr MXFFS30W: 390m ³ /hr MXFLFR30W: 390m ³ /hr MXFLFS30W: 390m ³ /hr MXFFR25W: 290m ³ /hr MXFFS25W: 290m ³ /hr MXFLFR25W: 290m ³ /hr MXFLFS25W: 290m ³ /hr
Duct Diameter Outlet Size	150mm
Cut Out Size Diameter:	MXFFR30W: 295mm MXFFS30W: 295mm MXFLFR30W: 295mm MXFLFS30W: 295mm MXFFR25W: 240mm MXFFS25W: 240mm MXFLFR25W: 240mm MXFLFS25W: 240mm



*For further information regarding warranty terms and conditions, please refer to enclosed warranty statement. Warranty is void unless installed by a licensed electrician.

AVAILABLE IN WHITE ONLY

Model	Colour	Barcode
MXFFR25W	White	 9312375505181
MXFFS25W	White	 9312375505174
MXFFR30W	White	 9312375507086
MXFFS30W	White	 9312375507093

Model	Colour	Barcode
MXFLFR25W	White	 9312375505167
MXFLFS25W	White	 9312375505150
MXFLFR30W	White	 9312375507109
MXFLFS30W	White	 9312375507116