



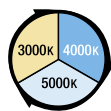



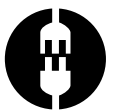





Replacement
Warranty*

280MM SLIMLINE TRICOLOUR LED CEILING LIGHT

TLHO34514WD

The Hilux surface mounted LED ceiling light is a simple and sleek designed light that features a 14W Tricolour SMD LED light that is encased with a toughened acrylic diffuser. Making this light ideal for kitchens, hallways and other high traffic areas.



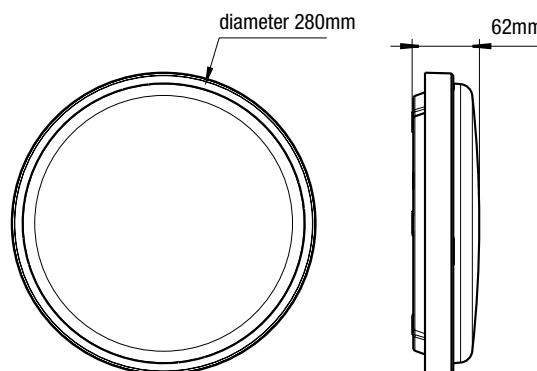
 Tricolour LED	 Energy Efficient	 CRI ≥80	 IP 44	 Quick Connect System
 LED Type	 Step Dimming Function	 14W 900 LUMENS	 25,000 HOURS	 120° Beam Angle

- Surface mounted LED ceiling light
- Ideal for kitchens, hallways and high traffic areas
- Provides excellent light distribution using SMD LED technology
- 14W Tricolour LED light
- Simple & sleek design with a toughened acrylic diffuser

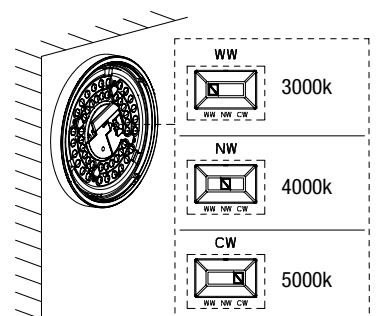
INCLUDES

Lamp cover, main body, wall mount screws, sealing ring & insulation tube

DIMENSIONS



TRICOLOUR SWITCHABLE



Aust/NZ Approval No.
GMA-505963



9312375506263

TLHO34514WD

280MM SLIMLINE TRICOLOUR LED CEILING LIGHT

FEATURES

- Slimline surface mounted LED ceiling light
- Provides excellent light distribution using Tricolour SMD LED technology
- Select either 3000k, 4000k, or 5000k light colour temperature setting
- Toughened acrylic diffuser
- Simple, round and sleek design
- Complete with integrated driver
- Switch dimming function: 100% lumen – 50% lumen – 10% lumen output
- IP44 weather resistant

SPECIFICATIONS

Model name	Hilux
Model number	TLHO34514WD
Power (wattage)	14W
Voltage	220v-240v
Frequency	50-60Hz
Switchable Tricolour lumens	3000k-800lm 4000k-900lm 5000k-900lm
Colour temperature	3000k / 4000k / 5000k
LED light beam angle	120°
Product size (mm)	Dia 280 x 62
Material	Toughened acrylic diffuser
LED Type	24 x 0.6W SMD LED
CRI	≥80
Switch dimming function	100% lumen – 50% lumen – 10% lumen output
Approximate lamp life	25000hrs
Weather resistance rating	IP44
Driver type	Integrated driver



INSTALLATION

Installation	By licensed electrician only
Warranty	2 year replacement warranty*

* For further information regarding warranty terms and conditions, please refer to enclosed warranty statement. Warranty is void unless installed by a licensed electrician.

SHIPPING

Packaging size	285 x 290 x 71mm
Gross weight	4.8kg
Carton qty	8

AVAILABLE IN WHITE



White

Model	Colour	Barcode
TLHO34514WD	White	 9312375506263