

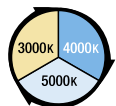
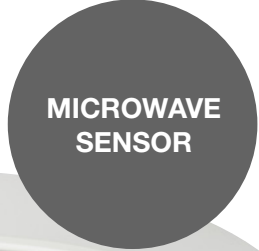


Replacement
Warranty*

280MM SLIMLINE TRICOLOUR LED CEILING LIGHT WITH MICROWAVE SENSOR

TLHO34514WS

The Hilux surface mounted LED ceiling light with sensor is a simple and sleek designed light that features a 14W Tricolour SMD LED light that is encased with a toughened acrylic diffuser. As well as a microwave sensor with adjustable detection range and timer settings, making this light ideal for kitchens, hallways and other high traffic areas.



Tricolour LED



Energy Efficient



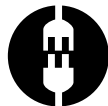
Detection Area 360°



CRI



IP Rating



Quick Connect System



LED Type



Microwave Motion Detector



Watt / Lumens



LED Lamp Life



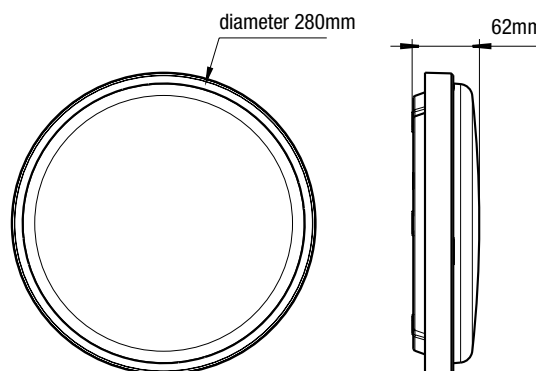
Beam Angle

- Surface mounted LED ceiling light
- Ideal for kitchens, hallways and high traffic areas
- Provides excellent light distribution using SMD LED technology
- Microwave sensor with adjustable detection range and timer settings
- 14W Tricolour LED light
- Simple & sleek design with a toughened acrylic diffuser

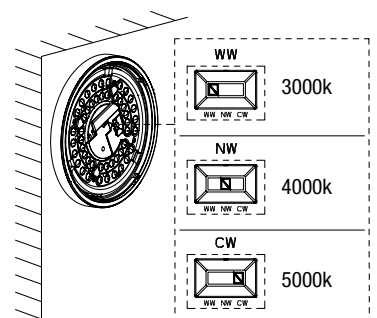
INCLUDES

Lamp cover, main body, microwave sensor setting knobs, wall mount screws, sealing ring & insulation tube

DIMENSIONS



TRICOLOUR SWITCHABLE



Aust/NZ Approval No.
GMA-505963



9312375506287

TLHO34514WS

280MM SLIMLINE TRICOLOUR LED CEILING LIGHT WITH MICROWAVE SENSOR

FEATURES

- Slimline surface mounted LED ceiling light
- Provides excellent light distribution using Tricolour SMD LED technology
- Select either 3000k, 4000k, or 5000k light colour temperature setting
- Toughened acrylic diffuser
- Simple, round and sleek design
- Microwave sensor with adjustable detection range and timer settings
- Complete with integrated driver
- IP44 weather resistant

SPECIFICATIONS

Model name	Hilux
Model number	TLHO34514WS
Power (wattage)	14W
Voltage	220v-240v
Frequency	50-60Hz
Switchable Tricolour lumens	3000k-800lm 4000k-900lm 5000k-900lm
Colour temperature	3000k / 4000k / 5000k
LED light beam angle	120°
Product size (mm)	Dia 280 x 62
Material	Toughened acrylic diffuser
LED Type	24 x 0.6W SMD LED
CRI	≥80
Switch dimming function	100% lumen – 50% lumen – 10% lumen output
Approximate lamp life	25000hrs
Weather resistance rating	IP44
Driver type	Integrated driver
Sensor detection angle	360°
Duration time	5 seconds to 20 minutes
Detection distance max	5m
Lux control level	From day to night adjustable



INSTALLATION

Installation	By licensed electrician only
Warranty	2 replacement warranty*

* For further information regarding warranty terms and conditions, please refer to enclosed warranty statement. Warranty is void unless installed by a licensed electrician.

SHIPPING

Packaging size	285 x 290 x 71mm
Gross weight	4.8kg
Carton qty	8

AVAILABLE IN WHITE



White

Model	Colour	Barcode
TLHO34514WS	White	 9312375506287