

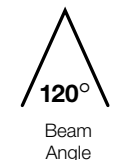
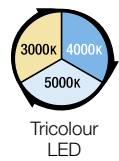


Replacement  
Warranty\*

# 350MM SLIMLINE TRICOLOUR LED CEILING LIGHT WITH MICROWAVE SENSOR

TLHO34518WS

The Hilux surface mounted LED ceiling light with sensor is a simple and sleek designed light that features an 18W Tricolour SMD LED light that is encased with a toughened acrylic diffuser. As well as a microwave sensor with adjustable detection range and timer settings, making this light ideal for kitchens, hallways and other high traffic areas.

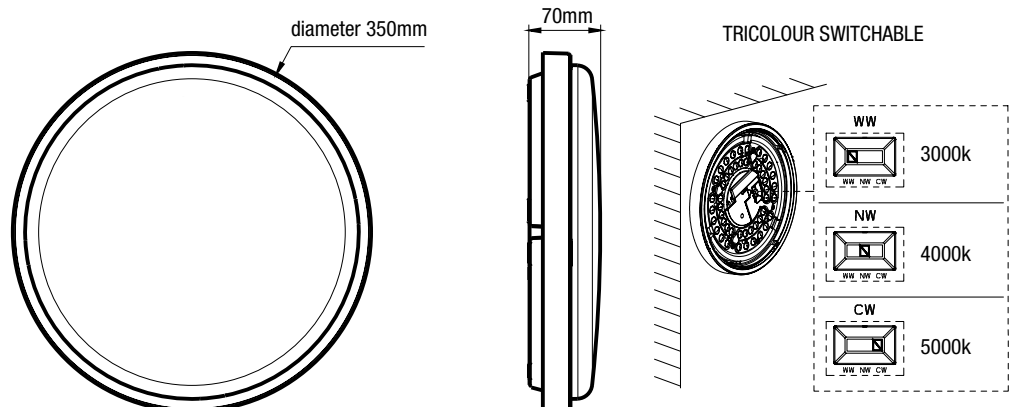


- Surface mounted LED ceiling light
- Ideal for kitchens, hallways and high traffic areas
- Provides excellent light distribution using SMD LED technology
- Microwave sensor with adjustable detection range and timer settings
- 18W Tricolour LED light
- Simple & sleek design with a toughened acrylic diffuser

## INCLUDES

Lamp cover, main body, microwave sensor setting knobs, wall mount screws, sealing ring & insulation tube

## DIMENSIONS



Aust/NZ Approval No.  
GMA-505963



9312375506294



## TLHO34518WS

## 350MM SLIMLINE TRICOLOUR LED CEILING LIGHT WITH MICROWAVE SENSOR

### FEATURES

- Slimline surface mounted LED ceiling light
- Provides excellent light distribution using Tricolour SMD LED technology
- Select either 3000k, 4000k, or 5000k light colour temperature setting
- Toughened acrylic diffuser
- Simple, round and sleek design
- Microwave sensor with adjustable detection range and timer settings
- Complete with integrated driver
- IP44 weather resistant



### SPECIFICATIONS

<b>Model name</b>	Hilux
<b>Model number</b>	TLHO34518WS
<b>Power (wattage)</b>	18W
<b>Voltage</b>	220v-240v
<b>Frequency</b>	50-60Hz
<b>Switchable Tricolour lumens</b>	3000k-1100lm 4000k-1200lm 5000k-1200lm
<b>Colour temperature</b>	3000k / 4000k / 5000k
<b>LED light beam angle</b>	120°
<b>Product size (mm)</b>	Dia 350 x 70
<b>Material</b>	Toughened acrylic diffuser
<b>LED Type</b>	24 x 0.75W SMD LED
<b>CRI</b>	≥80
<b>Switch dimming function</b>	100% lumen – 50% lumen – 10% lumen output
<b>Approximate lamp life</b>	25000hrs
<b>Weather resistance rating</b>	IP44
<b>Driver type</b>	Integrated driver
<b>Sensor detection angle</b>	360°
<b>Duration time</b>	5 seconds to 20 minutes
<b>Detection distance max</b>	5m
<b>Lux control level</b>	From day to night adjustable

### INSTALLATION

<b>Installation</b>	By licensed electrician only
<b>Warranty</b>	2 replacement warranty*

\* For further information regarding warranty terms and conditions, please refer to enclosed warranty statement. Warranty is void unless installed by a licensed electrician.

### SHIPPING

<b>Packaging size</b>	355 x 360 x 80mm
<b>Gross weight</b>	4.8kg
<b>Carton qty</b>	8

### AVAILABLE IN WHITE



White



Model	Colour	Barcode
TLHO34518WS	White	 9312375506294