



GUARD

Instruction Manual



100W WALL MOUNT TRICOLOUR FLOODLIGHT

Model No.: MLXG345100M



100W WALL MOUNT TRICOLOUR FLOODLIGHT

IMPORTANT PRODUCT INFORMATION

The product is guaranteed to be free from defects in workmanship and parts for a period of 2 years from the date of purchase. Defects that occur within this warranty period, under normal use and care, will be replaced at our discretion. The benefits conferred by this warranty are in addition to all rights and remedies in respect of the product that the consumer has under the Competition and Consumer Act 2010 and similar state and territory laws.

Our goods come with guarantees that cannot be excluded under the Australian Consumer Law. You are entitled to a replacement for a major failure and for compensation for any other reasonably foreseeable loss or damage. You are also entitled to have the goods replaced if the goods fail to be of acceptable quality and the failure does not amount to a major failure.

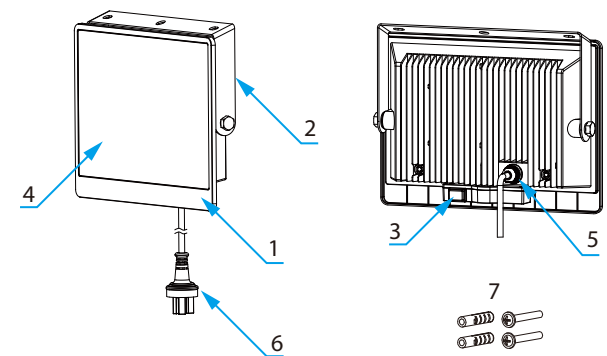


2
YEAR REPLACEMENT
WARRANTY

Parts List & Specifications

Parts List

1. Light body
2. Wall mount bracket
3. Tricolour Switch
4. Glass cover
5. Cable entry
6. Cable plug
7. Wall mount screws



Specifications

LED Floodlight 100 Watt Tricolour

Material: Die cast + Glass

Color: Black

Voltage: 220-240VAC~50/60Hz

LED: 120x0.83W Everlight LED 3000K;

120x0.83W Everlight LED 5000K;

Color temperature: 3000-5000K;

Lumen: 3000K---7000lm;

4000K---8000lm;

5000K---8000lm;

Cord length: with AU plug; H05RN-F 3Gx1.0mm²; 60cm length;

With Tricolour button switch on the housing, press to change the colour temperature

with LED shield; RA≥80

IP65

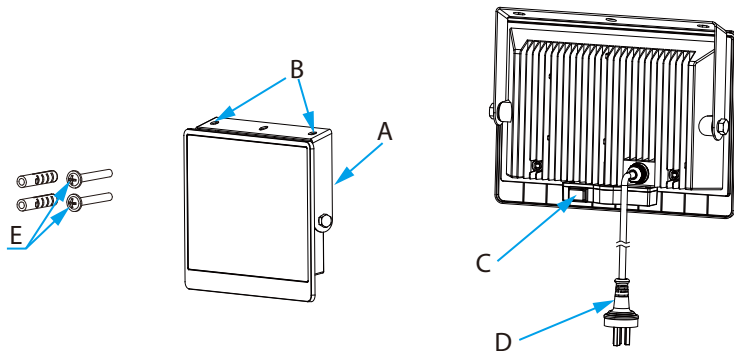
Installation Instructions

Product Installation

NOTE: For best performance install at a height between 2 and 2.5 metres.

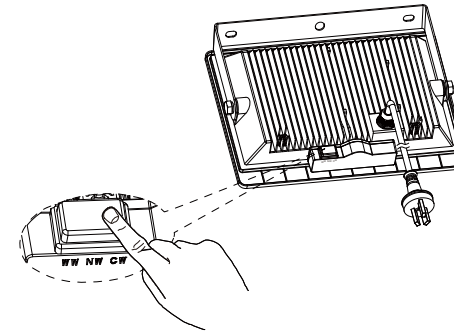
1. Ensure the Mains Supply is switched 'OFF'.
2. Unpack the fixture carefully and dispose of the packaging material thoughtfully. The fitting must be wired to its own wall switch.
3. Adjust the wall mount bracket.
4. Drill two holes in the wall using the mounting holes 'B' on the wall mount bracket 'A' as a template.
Note: exercise caution to avoid drilling into existing electrical wiring.
5. Use screws and suitable fixture system 'E' to secure the mounting plate 'A' to the wall securely, use the cable plug 'D' to plug the light into a wall switch.
6. Reconnect the mains supply, set the color temperature to your desire setting using the Tricolour switch 'C'.
7. Turn on the security light.

- **Do not direct the head upwards above horizontal.**



Switching colour temperature

- On the back of the LED light body, there is Tricolour switch which allows you to switch the colour temperature of the light among 30000K (WW), 4000K (NW), 5000K (CW).



Cleaning and Maintenance

Ensure light is turned off and cool before cleaning.

To avoid dust build-up on the sensor for proper functioning of the fitting, please wipe the sensor lens with a soft cloth approximately every 3 months.

Do not use chemicals.

Martec Australia Pty Ltd

Email: sales@martecld.com.au

Contact Phone: 02 8778 7500

Contact Fax: 02 8778 7555

Company Address:

6 Austool Place
Ingleburn NSW 1890

Opening Hours:

Monday to Friday

Warehouse hours: 7.30am – 3.30pm

Office hours: 8.00am – 5.00pm EST

WWW.MARTECAUSTRALIA.COM.AU

(For Warranty Conditions please refer to the Martec Website for Warranty Terms and Conditions)