



Replacement
Warranty*

TRICOLOUR LED SECURITY LIGHT WITH PIR SENSOR

The Ranger Tricolour LED single security light with sensor is a durable outdoor light with a modern design.

This 12W LED light features an adjustable head and PIR sensor that can be wall or ceiling mountable. Making the Ranger the perfect light for entry ways, alfrescos, garages and walkways.



**EASY
QUICK
CONNECT
SYSTEM**



Energy
Efficient



IP
Rating



Quick Connect
System



Beam
Angle



LED
Lamp Life



Max Lumen
Output



Sensor Angle
Max 150°



PIR Motion
Sensor



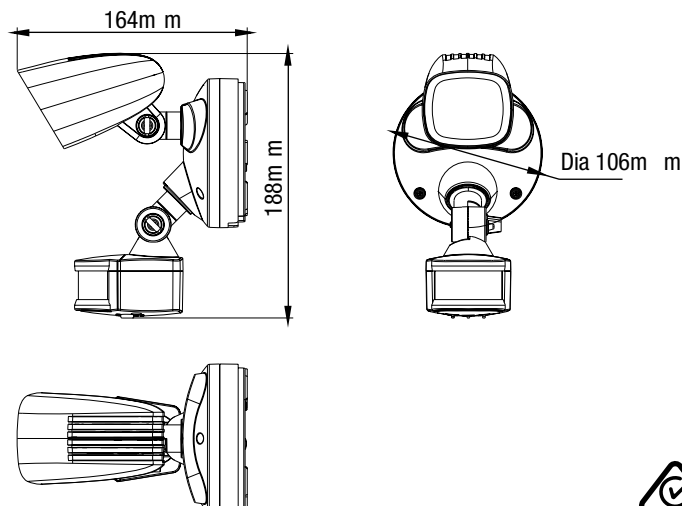
Tricolour
LED

- 150° sensor detection angle
- Up to 12m detection distance
- Super bright 12W Tricolour LED light
- Adjustable light duration time
- Day to night adjustable
- Made from durable polycarbonate and an aluminium construction
- New quick connect plate for quick and easy installation
- Wall or ceiling mountable

INCLUDES

Main body, wall mount base, sensor and screws

DIMENSIONS



Aust/NZ Approval No.
GMA-506081

TRICOLOUR LED SECURITY LIGHT WITH PIR SENSOR

FEATURES

- Modern design
- Made from durable polycarbonate and an aluminium construction
- 12W Tricolour LED light
- PIR sensor with adjustable time sensitivity
- Up to 12m sensor detection distance
- 150° sensor detection angle
- IP54 weather resistant
- New quick connect plate for quick and easy installation
- Wall or ceiling mountable
- Low heat output



SPECIFICATIONS

Model name	Ranger
Model number	White - MLXR3451WS Black - MLXR3451MS
Power (wattage)	12W
Voltage	220v – 240v
Frequency	50Hz
Switchable Tricolour lumens	3000k- 1050lm 4000k- 1100lm 5000k- 1100lm
Colour temperature	3000k / 4000k / 5000k
LED light beam angle	120°
Product size (mm)	188 x 106 x 164
Material	Polycarbonate & Aluminium
LED Type	COB
CRI	≥80
Approximate lamp life	25,000hrs
Weather resistance rating	IP54
Operating temp	-20°C to +40 °C
Sensor type	PIR passive infrared sensor
Sensor detection angle	150°
Duration time	10±5s to 4±1min, adjustable
Detection distance max	12m
Lux control level	From day to night adjustable

INSTALLATION


Installation	By licensed electrician only
Warranty	2 year replacement warranty*

*For further information regarding warranty terms and conditions, please refer to enclosed warranty statement. Warranty is void unless installed by a licensed electrician.

SHIPPING

Packaging size	L149 x H172 x D110
Gross weight	3kg
Carton qty	6


AVAILABLE IN WHITE AND BLACK




White



Black

Model	Colour	Barcode
MLXR3451WS	White	 9312375506553

Model	Colour	Barcode
MLXR3451MS	Black	 9312375506546