



Warranty

35W DC 1420MM (56") 3 ABS BLADE CEILING FAN WITH 5 SPEED REMOTE CONTROL AND TIMER MNF143MMR/MNF143OWR/MNF143WWR

*3 year in-home + additional 3 years on the motor only.



- 1420mm (56") 3 ABS blade DC ceiling fan
- Includes 5 speed DC remote control with up to 8 hour timer and reversible function on handset for summer winter operation
- Available in Matt Black, Old Bronze/Walnut, White Satin



Warranty



DC Motor



Blade Pitch



Summer/Winter Reverse Function



Airflow Capacity 11,800m³/hr



NON RUST ABS Blades



Hangsure Canopy



Indoor Cover Outdoor Use



Energy Efficient



Quick Connect System

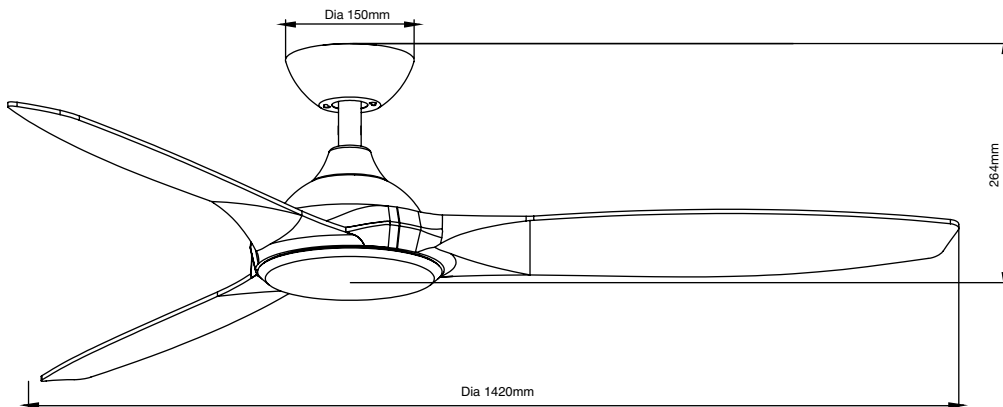


DC / 8hr Timer Quick Connect Remote Control



Quiet Operation

DIMENSIONS



Aust/NZ Approval No. SAA-202759-EA

35W DC 1420MM (56") 3 ABS BLADE CEILING FAN WITH 5 SPEED REMOTE CONTROL AND TIMER

FEATURES

- Latest in energy saving DC ceiling fan technology
- Durable metal body and canopy construction with 3 ABS blades that will not rust, corrode or fade
- 5 speed RF DC remote control with up to 8 hour timer
- Reversible function conveniently located on the remote for summer winter operation
- Excellent air movement capacity with 3 precision moulded and balanced ABS aero dynamic blades
- Hangsure angle canopy up to 10° maximum ceiling rake pitch
- Pre balanced for smoother quieter operation
- Suitable for indoor and covered outdoor applications
- Quick connect wiring and fittings for easy installation
- 6 year warranty (3 year in-home + additional 3 years on the motor only)



SPECIFICATIONS

Model name	Newport
Model numbers	MNF143MMR Matt Black MNF143OWR Old Bronze/Walnut MNF143WWR White Satin
Power (wattage)	35W
Motor	DC
Voltage	220-240V/50Hz
Blade/fan material	ABS/Metal
Control	Complete with DC remote control with 5 speed fan setting, including up to 8 hour fan timer, with summer winter reverse function (battery included)
Fan diameter	1420mm (56")
Height of fan	264mm
Blade degree pitch	15°
Summer winter mode	Yes
Hangsure canopy	Up to 10° ceiling rake

INSTALLATION

Installation	By licensed electrician only
Warranty	6 year warranty (3 year in-home + additional 3 years on the motor only)

*For further information regarding warranty terms and conditions, please refer to enclosed warranty statement. Warranty is void unless installed by a licensed electrician.

SHIPPING

Packaging size	L716mm x H246mm x D295mm
Gross weight	7.70kg
Net weight	6.90kg
Cubics per carton	0.052CBM

AVAILABLE COLOURS



Model	Colour	Barcode
MNF143MMR	Matt Black	9 312375 905899
MNF143OWR	Old Bronze/Walnut	9 312375 905905

Model	Colour	Barcode
MNF143WWR	White Satin	9 312375 905882