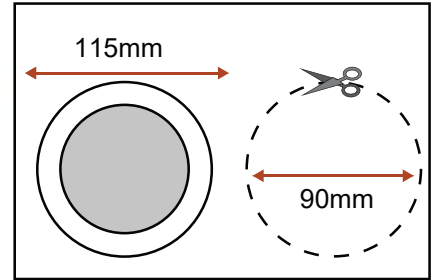
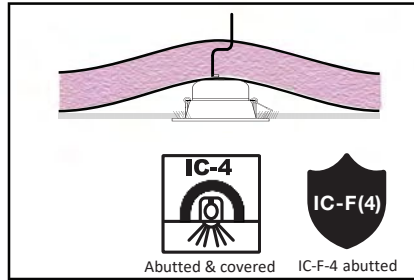
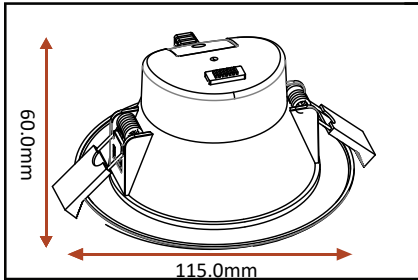


PLEASE READ THESE INSTRUCTIONS CAREFULLY BEFORE INSTALLATION. PLEASE
 RETAIN INSTRUCTIONS FOR FUTURE REFERENCE.

VITO 9W Tricolour LED Flush Downlight Kit Model: TLVD3459WD

FITTING MUST BE INSTALLED BY A QUALIFIED ELECTRICAL CONTRACTOR

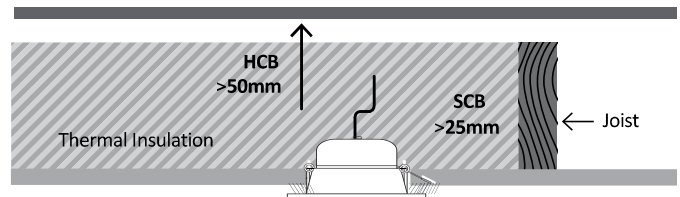


INSTALLATION

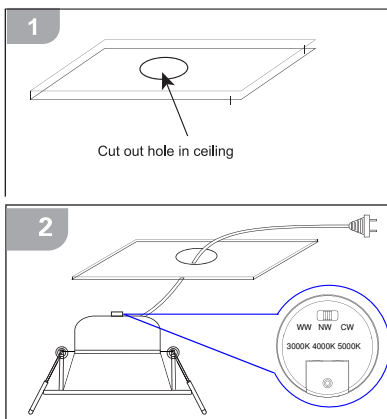
- This unit must be installed and wired by a qualified electrical contractor
- Ensure power is off at mains before wiring and installation
- For maximum number per circuit breaker, use the recommended quantities as for a standard mains 50W lamp (or 100W R80)
- Ensure that the area that the unit is to be fitted has a minimum height clearance of 50mm.
- Cut a suitable hole in the ceiling for each unit ensuring no positions are under joists, cables, pipes etc.
- Feed springs through the ceiling hole slowly releasing the unit up to the ceiling. The springs will hold the fitting in place.
- For indoor use $T_a = 25^\circ\text{C}$
- The light source of this luminaire is not replaceable when the light source reaches its end of life the whole luminaire will need to be replaced.
- For indoor use only.

INSULATION

Thermal insulation clearance class IC-4 covered; meaning that the Blitz LED downlight can be covered entirely by insulation abutting or is within 100mm horizontally of the luminaire. And must meet the following requirements: Be of a type that can maintain its dimensions and structural integrity when exposed to a maximum surface temperature the class of the luminaire, being 90°C ; Be of a type that can withstand a 30 second needle flame test carried out in accordance with AS/NZS 60695.11 with a flame applied to all surfaces of the sample insulation types which should be used with this fitting are glass wool (pink batts) & polyester.



INSTRUCTIONS:



1 Cut out (size:90mm) hole in the ceiling. Ensure there is sufficient clearance in the area where you will position the fitting.

2 Select the colour preference by sliding the dip switch on rear of down light. (3000K, 4000K, 5000K)
 Connect fitting to the mains power via power plug.

IMPORTANT NOTE

This fixture must not be installed with loose fill insulation (as defined in NZS 4246) such as macerated paper and wool.
 This Downlight has achieved an IC-F IC-4 insulation rating in accordance with AS/NZS 60598.2.2.

