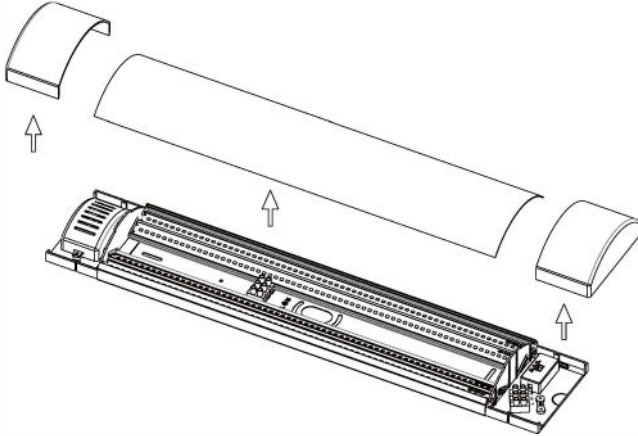


**PLEASE READ THESE INSTRUCTIONS CAREFULLY BEFORE INSTALLATION.**

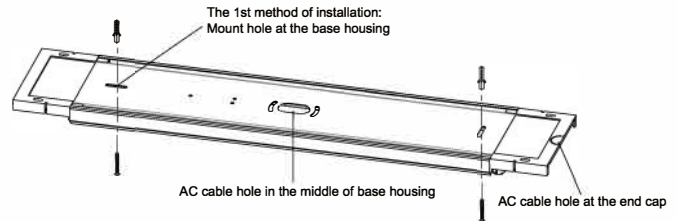
**PILOT TRICOLOUR WIDE BATTEN IP20**

**Model: MLPB12345W & MLPB60345W**

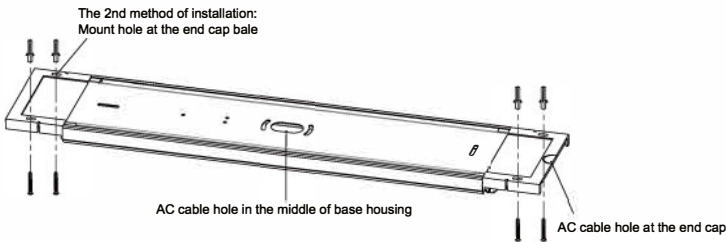
Step 1: Open the end caps and remove LED Diffuser part from the base housing as arrow direction showed.



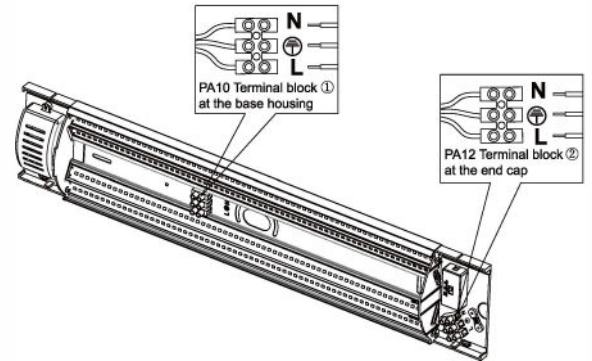
Step 2: The 1st method of Installation: Wire the AC cable into the terminal block through the cable entry hole in the middle of base housing. Mount the fitting onto flat service with wall plugs and screws



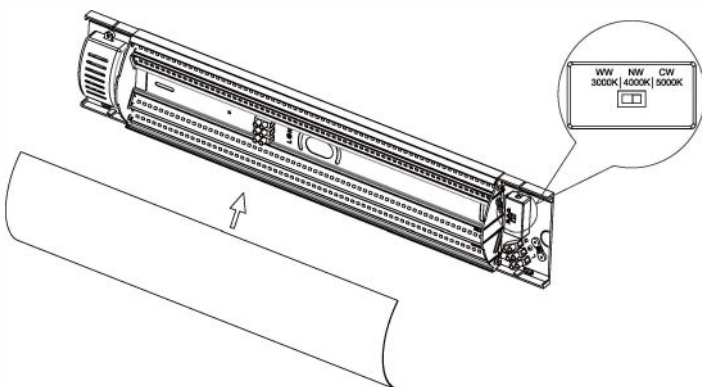
Step 3: The 2nd method of Installation: Wire the AC cable into the terminal block through the cable entry hole at the base housing or end cap. Mount the fitting onto flat service with wall plugs and screws.



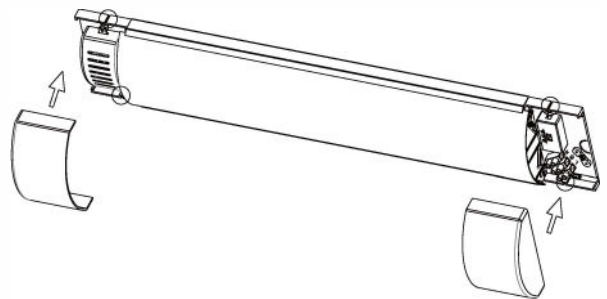
Step 4: Individually connect the Live wire, Neutral wire and Earth wire into the terminal block. It can be connected Terminal block ① or Terminal block ②  
 Brown wire into terminal block "L"  
 Blue wire into terminal block "N"  
 Yellow & Green wire into terminal block ⊕



Step 5: Assemble LED diffuser back to base housing. Setting the desired color temperature on the switch.



Step 6: Assemble two covers back to end cap base as arrow direction. The lug of the end cap cover should be located in the groove of the end cap base, and pressed end cap cover to the bottom.



- This lamp must be installed by a qualified electrical contractor ONLY.
- IP20 Indoor installation only.
- Warning :Before obtaining access to terminals , all supply circuits must be disconnected.

**Specification**

**Rated Voltage : 220-240V 50Hz**

**Max Wattage 20W for 600mm & 40W for 1200mm battens.**

**Driver type : Isolation SAA driver , Class 1 protection, non dimmable.**

**Product size : L600\*W120\*H45mm or L1200\*W120\*H45mm**