

# REX Installation Guide

We strongly recommend that you read this manual carefully before installation. Installation MUST be carried out by a qualified and licensed electrician.



Replacement  
Warranty

## Models

TLRD3459WD

TLRD3459MD

## Parameters

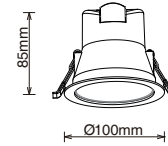
9W Tricolour LED Downlight Matt White

9W Tricolour LED Downlight Matt Black

## Application

- Residential
- Apartment
- Retro-fit

## Dimensions



## Installation Instructions

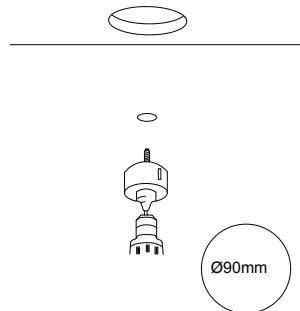
Fg.1



Caution, risk of electric shock

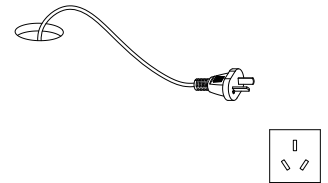
Disconnect mains supply before installation or removing cover. (See Fg.1)

Fg.2



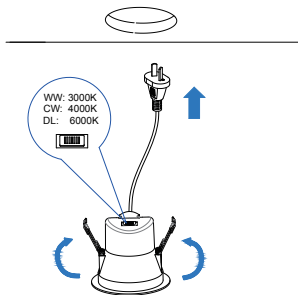
Cut a Ø90mm hole in the ceiling. (See Fg.2)

Fg.3



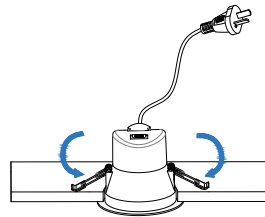
Insert plug into socket. (See Fg.3)

Fg.4



Toggle the button to select the colour temperature required. Push the spring up and place LED downlight in the ceiling. (See Fg.4)

Fg.5

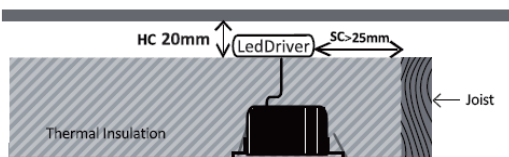


Release the spring and make sure the LED downlight is firmly in place. (See Fg.5)

## Insulation

Thermal insulation clearance class IC-4 covered; meaning that the LED downlight can be covered entirely by insulation abutting or is within 100mm horizontally of the fitting. And must meet the following requirement:

- be a type that can maintain its dimensions and structural integrity when exposed to a maximum surface temperature
- be of a type that can withstand a 30s needle flame test carried out in accordance with AS/NZS 60598.2.2 with a flame applied to all surfaces of the sample insulation types which should be used with this fitting are glass wool (pink batts) & polyester.



### IMPORTANT NOTE

This fitting must not be installed with loose fill insulation (as defined in NZS 4246) such as macerated paper and wool. Control gear/driver must be mounted above any insulation covering the fitting. Minimum side clearance is 25mm. Minimum height clearance is 20mm.



Aust/NZ Approval No.  
xxx xxxx