

# KOBI Installation Guide

We strongly recommend that you read this manual carefully before installation.  
Installation MUST be carried out by a qualified and licensed electrician.



Replacement  
Warranty

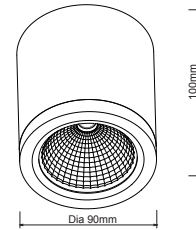
## Models Parameters

TLKD34510WD 10W Tricolour LED Downlight Surface Mounted White  
TLKD34510MD 10W Tricolour LED Downlight Surface Mounted Matt Black

## Application

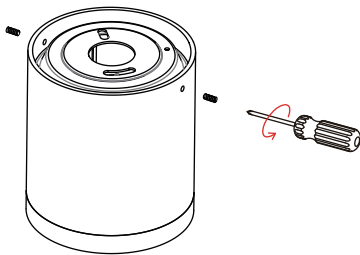
- Residential
- Apartment
- Office

## Dimensions



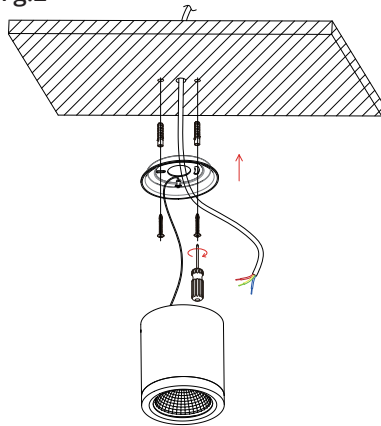
## Installation Instructions

Fig.1



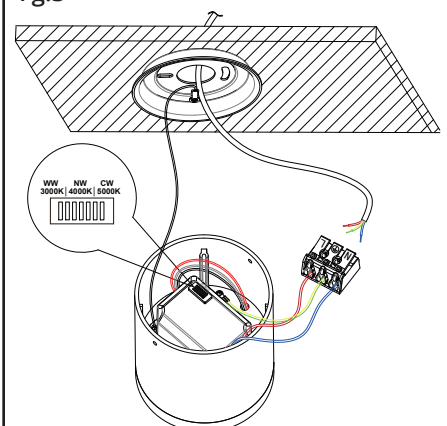
Remove 2 screws from the side of the fitting. (See Fig.1)

Fig.2



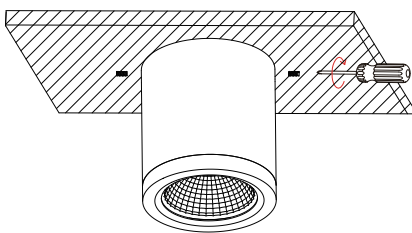
Fix the installation plate to the ceiling using the mounting hardware provided. Ensure mains power is switched off. (See Fig.2)

Fig.3



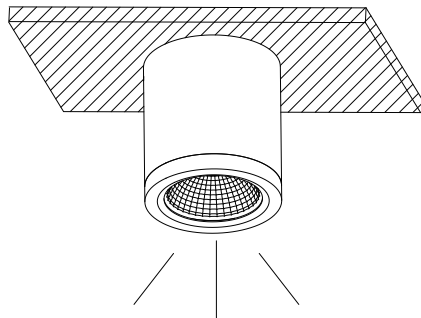
Connect mains wiring to quick connector. Select desired colour temperature via switch. (See Fig.3)

Fig.4



Fasten with 2 screws on the sides of the fitting. (See Fig.4)

Fig.5



Turn the power on. (See Fig.5)

**NB: Fitting supplied with clear diffuser pre-fitted.**

Change to frosted diffuser. You need to do this before installation. Simply unscrew the front ring of the fitting anti-clockwise, remove it from the main housing. Fit the frosted diffuser and refit the front ring onto the main housing.



Aust/NZ Approval No.  
xxx xxxx