

## 24W LED FLOODLIGHT PIR MOTION SENSOR 5000K WI-FI 1080P HD CAMERA



### Model Numbers

MLXSP524WS  
MLXSP524MS

### Features

- Modern designed floodlight for security lighting and safety
- Ideal solution for entrances, alfresco and exterior applications
- WiFi connectivity and operate via Smart Life application
- Aluminium housing with UV stabilised base, polycarbonate diffuser and sensor cover
- Intelligent PIR motion sensor with 210° detection zone
- Tridirectional 3x 70° sensor zones
- Integrated photocell to activate motion sensor from dusk to dawn
- On board memory card slot supplied with 8G micro SD card
- Integrated microphone and speaker for 2-way communication



Replacement  
Warranty



IP  
Rating



Sensor Angle  
210° x 12M



Tridirectional



Light Output



Day  
or Night

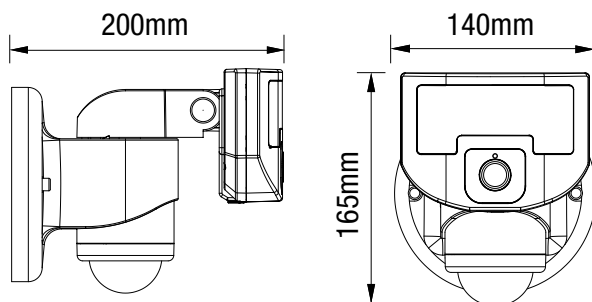


Wi-Fi



1080P  
HD Camera

### DIMENSIONS



## 24W LED FLOODLIGHT PIR MOTION SENSOR 5000K WI-FI 1080P HD CAMERA

### PACKAGING



### SPECIFICATIONS

<b>Model Name</b>	Sentinel
<b>Model Number</b>	MLXSP524WS - White MLXSP524MS - Black
<b>Power Wattage</b>	24W
<b>Voltage</b>	220-240V 50Hz
<b>Materials / Housing</b>	Aluminium / polycarbonate
<b>Colour Temperature</b>	5000K
<b>Lumens Output</b>	1700lm
<b>IP Rating</b>	IP65
<b>Beam Angle</b>	120°
<b>CRI</b>	Ra>80
<b>Rated Lifetime</b>	50,000 hrs @ Ta25°
<b>Sensor</b>	Motion sensor
<b>Detection Range</b>	210° up to 12M (3x 70 tridirectional zones)

### INSTALLATION

<b>Installation</b>	By licensed electrician only
<b>Warranty</b>	2 year replacement warranty


\*For further information regarding warranty terms and conditions, please refer to enclosed warranty statement.  
Warranty is void unless installed by a licensed electrician.


### SHIPPING

<b>Packaging Size</b>	470(L) x 372(W) x 203(H)mm
<b>Carton Quantity</b>	4 pcs
<b>Gross Weight</b>	4.2kg

### AVAILABLE COLOURS



Model	Colour	Barcode
MLXSP524WS	White	 9 312375 508472

Model	Colour	Barcode
MLXSP524MS	Black	 9 312375 508465