

# INSTALLATION INSTRUCTIONS AND HOLE-CUTTING TEMPLATE



## Phoenix Bathroom 3-in-1 Heater Halogen Lamp / LED Light / Exhaust Fan

### IMPORTANT

We strongly recommend that you read this manual carefully before installation. Installation MUST be carried out by a qualified and licensed electrician. This unit must be installed to comply with the appropriate council regulations and the Australia and New Zealand wiring rules AS/NZS3000:2000 or latest edition thereof.

The main supply and inter-connecting cables required for installation of this unit are not included.

1. Use this heater only as described in this manual. The manufacturer does not recommend any other use as this may cause fire, electric shock, or injury to persons. If you have questions, contact Martec.
2. Make sure the mains is off before the installation.
3. When cutting into the wall, do not damage electrical wiring and other hidden utilities.
4. The heater must be properly grounded.
5. The heat lamp and glass shield are hot when in use. Do not touch the heat lamp and glass shield with any part of your body when it is on.
6. To avoid any dangerous gas leaking into your bathroom, the ventiduct of the heater must not be laid together with the ventiduct of air-fuelled water heater or other open-fire appliances into the same flue.
7. The power cable must stand a minimum 10A load.
8. The appliance is not intended for use by persons (including children) with reduced physical, sensory or mental capabilities, or lack of experience and knowledge, unless under supervision by a person responsible for their safety.
9. The heater must be installed where switches and control cannot be touched by a person in the bath or shower.
10. The appliance shall, under no circumstances, be covered with insulating material or similar material.
11. Regulations concerning the discharge of air must be fulfilled.
12. Joists, beams and rafters shall not be cut or notched to install the appliance.

### IMPORTANT INFORMATION BEFORE INSTALLATION

1. The unit should not be installed directly above a shower or bathtub. The unit must not be installed in a position where water may splash onto the unit.
2. The unit must not be installed beneath a fixed socket or power outlet.
3. The unit must be installed on flat level surface. Do not mount it on a sloping ceiling or a vertical wall.
4. The heat lamp is most effective when you are standing directly beneath them, so generally the unit would be mounted a place where you would stand to dry yourself.
5. For the exhaust fan to work efficiently, replacement air of a volume equivalent to what is being extracted must be able to enter the room. NB: Generally, this air would be drawn under the door, or through a slightly open window. If the room is airtight, the fan will function poorly.
6. Before commencing any cutting, check in the ceiling space that there are no obstructions such as ceiling joists and that there is sufficient height clearance for the housing. Check that the electrical wiring can be routed from the wall switches to the mounting location.

### INSTALLATION

#### 1. Cutting a vent

Locate a vent position (above the ceiling) on the wall, and then cut a 155mm diameter hole at this very position.

#### 2. Ducting

Put one end of the 150mm diameter ventiduct into the vent hole and seal space around the hole using a suitable sealant and cawling where necessary. Note: The length of each duct is 1.5m, therefore ensure the distance from the centre of installation position is within 1.5m to the outside vent.

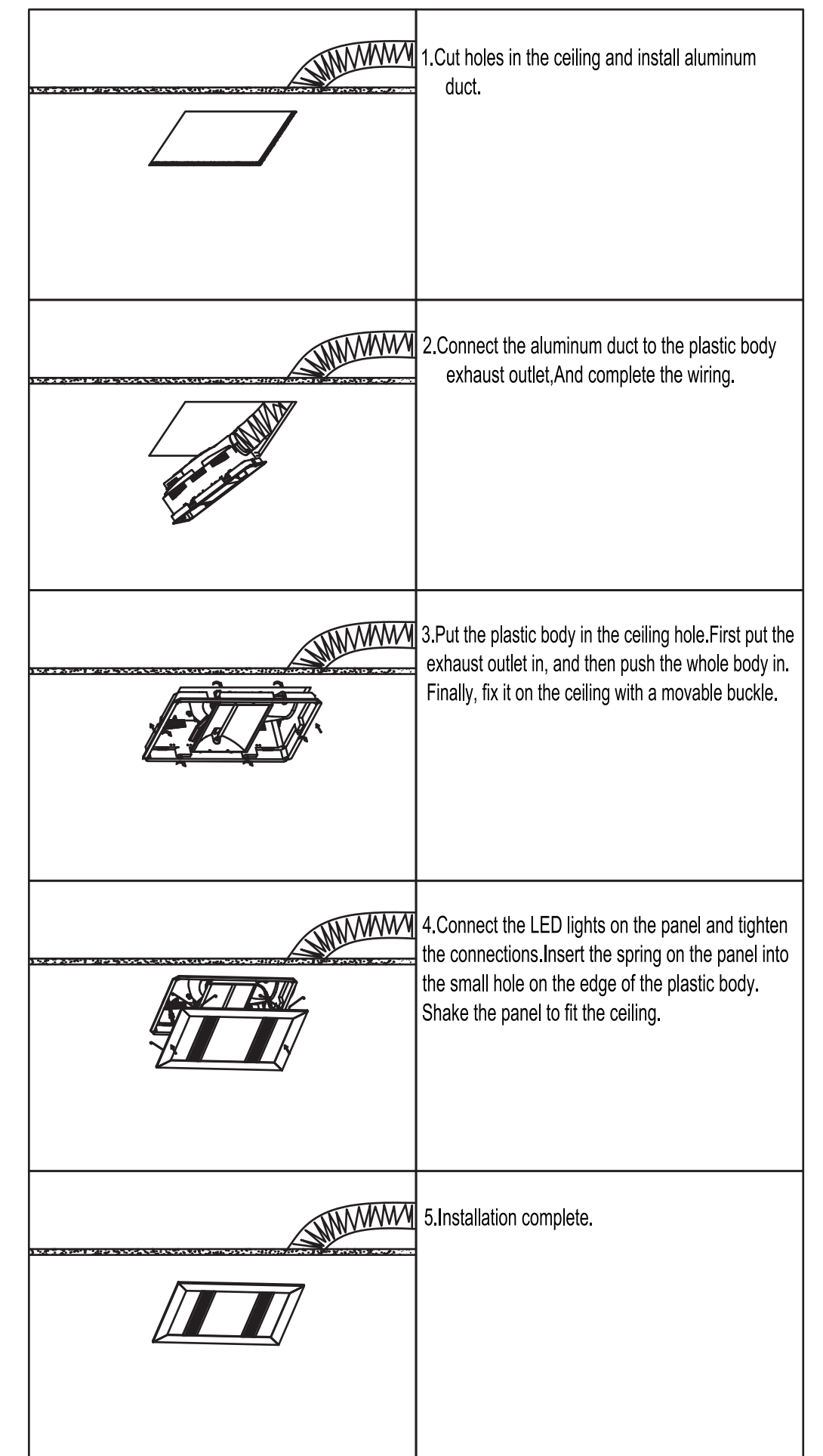
#### 3. Suitable location

For the unit to perform better, recommended installation height is 2.3m from the ground

#### 4. Prepare the ceiling

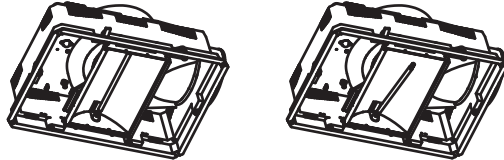
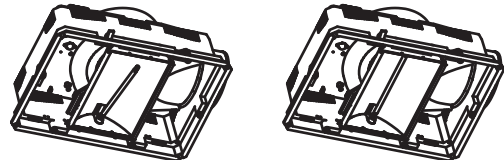
Select the mounting position for the unit. Before commencing any cutting, check in the ceiling space that there are no obstructions such as joints and that there is sufficient height clearance for the housing. NB: Use this cardboard as cutting template (475mm x 325mm). Minimum installation area is 250mm from the edge of a wall and 220mm ceiling clearance.

### Product installation diagram

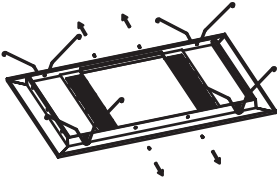
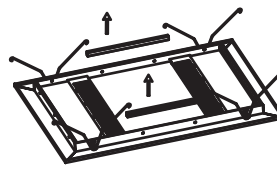


# INSTALLATION INSTRUCTIONS AND HOLE-CUTTING TEMPLATE

## Installation diagram of heat tube replacement.

	<p>1. Hold the heat tube by hand and push it to one end to remove the heat tube.</p>
	<p>2. Insert the new heating tube into the lamp holder obliquely, and then insert the other end into the lamp holder. (The white side of the heat tube shall face the ceiling).</p>

## Installation diagram of glass replacement

	<p>1. Take off the fascia, Then remove the four screws on both sides of the glass with a screwdriver.</p>
	<p>2. Remove the metal strip from the glass, The glass can be removed.</p>

### USE

Our bathroom heater uses the halogen lamp as a source of heat.

It also combines the functions of exhaust and light

#### 1Heat

HEAT'button On/Off

Note Do not touch the infrared lamps with any part of your body when in use.

#### 2Exhaust

FAN' button On/Off

This unit can exhaust odours and steam in a quick and efficient way by turning on the "FAN" button.

#### 3.Lighting

'Light' button On/Off

Note: Do not switch on/off frequently when in use. Shut off the power in long vacancy .

### MAINTENANCE

#### 1. Clean

- 1) Shut off the power before cleaning.
  - 2) Wipe the glass shield and fascia with care using a soft cloth soaked with a neutral detergent. Check the glass shield is not loose from the slots regularly.
- Note: Ensure the lamps are cool enough to touch before handling.

#### 2. Lamp Replacement

- 1) Check the heat lamp regularly.
  - 2) Shut off power before replacement.
  - 3) Use Martec 1000W heat lamp for heating.
- Note: Using different lamps other than the designated ones may affect operation.

### WARRANTY

The unit is warranted against defects in manufacturing and workmanship for a period of 2 years. The warranty does not extend to lamp globes supplied or installation of the unit or any associated wiring or any damage caused by installation or wiring. The installation must be conducted by a licensed electrician and a suitable certificate of safety is to be issued by the electrician who installed the unit. Warranty claims will be voided unless a certificate of safety can be produced when required, prior to service or repair.

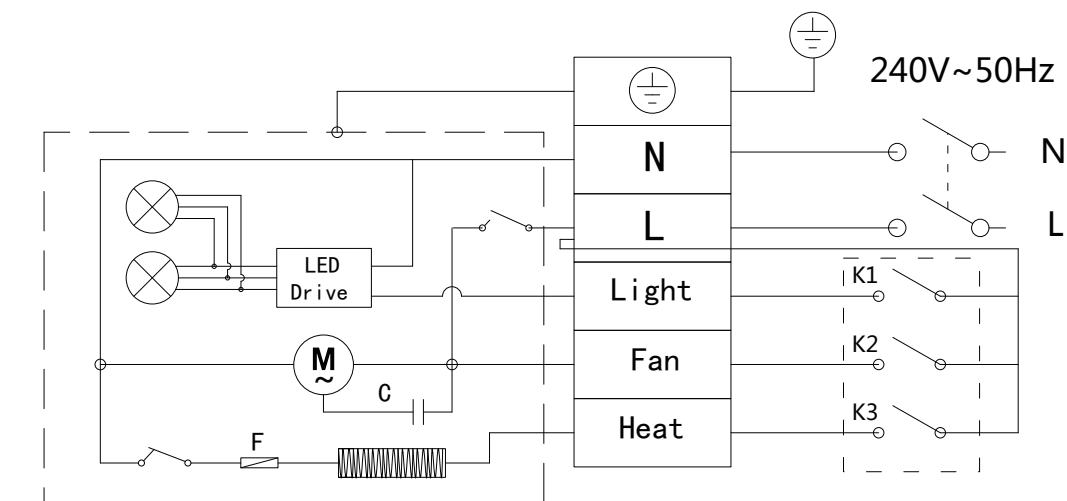
#### This warranty does not cover damages or loss caused by:

- 1) Heat or light lamps.
- 2) Any consequential losses arising from incorrect installation or operation or maintenance of this product.
- 3) Any consequential losses arising from incorrect wiring of this product.
- 4) Any modifications or changes made to the unit, other than those recommended by the Manufacturer.

### ACCC Required Statement

Our goods come with guarantees that cannot be excluded under the Australian Consumer Law. You are entitled to Martec replacing the product in home with parts and labour for a major failure.

You are also entitled to have the goods repaired or replaced if the goods fail to be of acceptable quality and the failure does not amount to a major failure. Martec offers an in home warranty that includes parts and labour so the end consumer is not out of pocket.



### MAIN TECHNICAL PARAMETERS

Model Number	MBHP1000W/MBHP1000M
Rated Voltage	220V-240V
Rated Frequency	50Hz
Rated Power	1100W
Product Weight	4.95KG

### LIST OF ACCESSORIES

Installation instruction & hole-cutting template	1 piece
1.5m duct	1 piece
Clips for ducting	2 piece
External grille	1 piece
3 gang switch wall controller	1 piece
Draft stopper	1 piece



we reserve the rights to revise this instruction without any prior notice.