

OPAL Series LED Floodlight Installation Guide

Thanks for choosing our OPAL series LED Floodlight.

We strongly recommend that you read this manual carefully before installation.



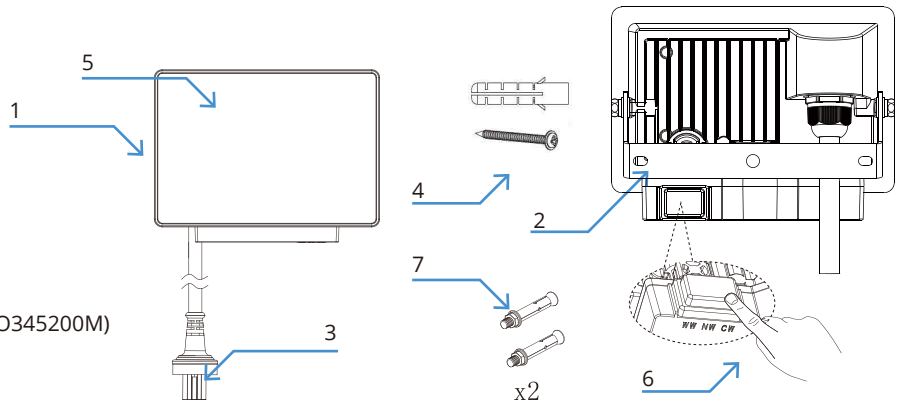
Replacement
Warranty

Model Parameter:-

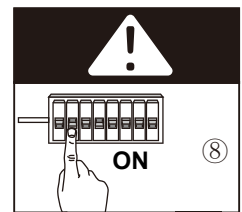
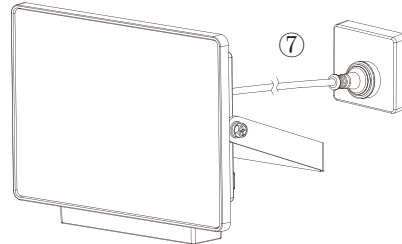
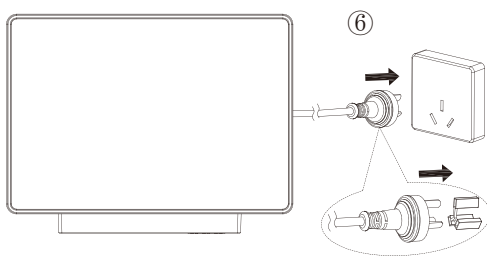
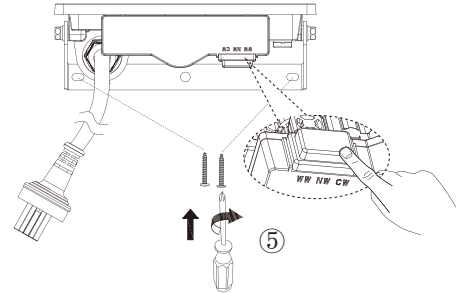
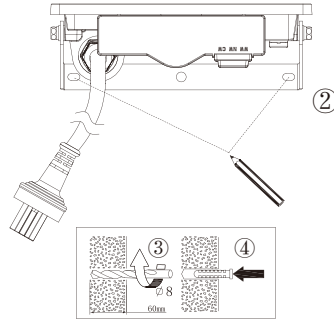
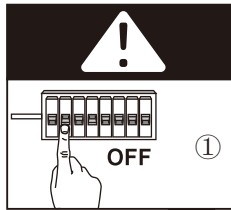
MLXO34520M	20W Floodlight Tricolour Black;
MLXO34530M	30W Floodlight Tricolour Black;
MLXO34550M	50W Floodlight Tricolour Black;
MLXO34550MS	50W Floodlight Tricolour with sensor Black;
MLXO345100M	100W Floodlight Tricolour Black;
MLXO345150M	150W Floodlight Tricolour Black;
MLXO345200M	200W Floodlight Tricolour Black;

Part List:

1. Light body
2. Wall mount bracket
3. Cable and plug
4. Wall mount screws
5. Light cover
6. Colour temperature switch
7. Expansion screws (for MLXO345150M and MLXO345200M)



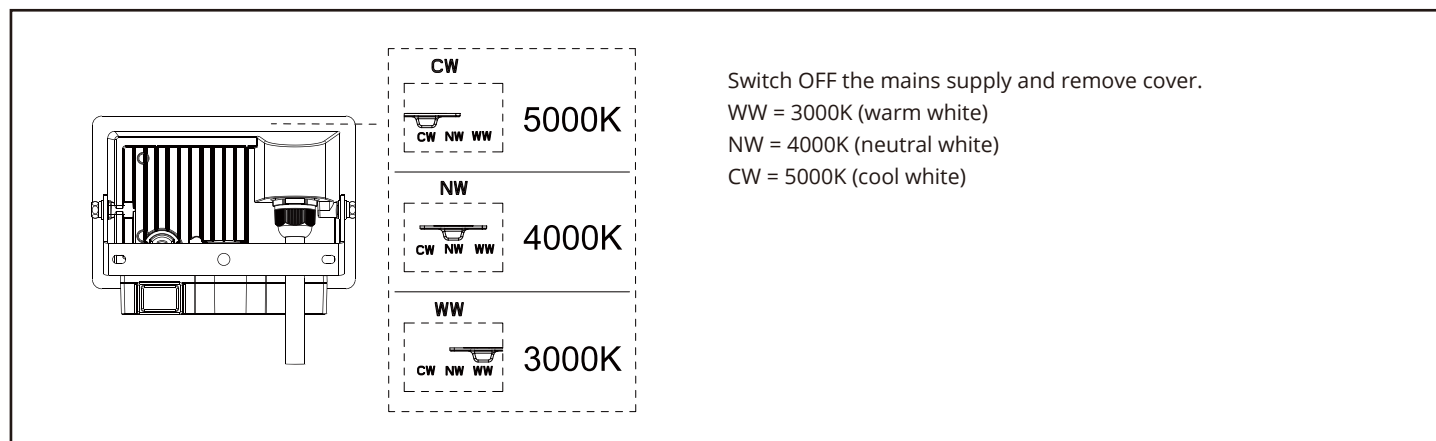
How to Assemble



- Step 1. Switch OFF the mains.
- Step 2. Adjust the angle of the wall mount bracket as the picture shown above then mark the position of the mounting holes.
- Step 3. Drill the mounting holes on the wall according to the marking.
- Step 4. Insert the dowels into the wall mount holes. (for MLXO345150M and MLXO345200M please skip this step)
- Step 5. Set the colour temperature by pressing the colour temperature switch. Use the mounting screw to fix the the light onto the wall by screwing the mounting holes. (for MLXO345150M and MLXO345200M please use the expansion screw instead.)
- Step 6. Take off the cap of the Plug then plug in to finish the electrical connection.
- Step 7. Plug in to finish the electrical connection.
- Step 8. Turn on the mains.

WARNING Installation **MUST** carry out by a qualified and licensed electrician.

CCT (Colour Changable Temperature)



Sensor setting (For MLX034550MS)

The PIR motion sensor has three adjusting knobs: **SENSITIVITY**, **TIME** and **LUX**.

SENS (Sensitivity Adjustment)

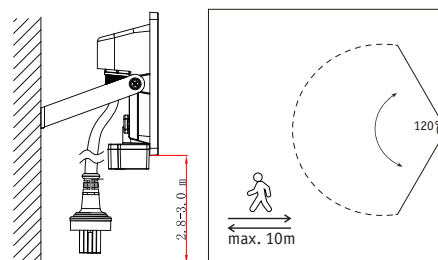
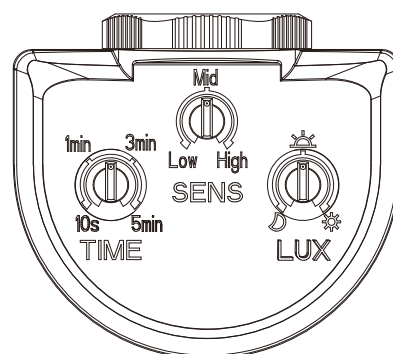
- The sensitivity can be increased by turning the knob towards (High) and decreased by turning the knob towards (Low).
- **Note:** The sensitivity is affected by environmental factors such as temperature. The sensor is more sensitive at lower environmental temperatures and vice versa.

TIME

- The time duration is adjustable from. Turn this knob towards (5min) to increase the time, or turn it towards (10s) to decrease the time.
- Note: Once the light is activated by the PIR sensor, any subsequent detection will restart the time again from the beginning.
- The light will stay 'ON' until the duration of the time set by this knob has expired.

LUX (Lux Control Adjustment)

- The LUX control has a built-in photocell that detects daylight and darkness .
- ☀ – Turning the LUX knob into this position means that the PIR sensor will turn the light ON at 'Daytime' (as well as at night time).
- 🌙 – Turning the LUX knob into this position means that the PIR sensor will turn the light ON only at 'Night'.
- Desired LUX level can be set by adjusting the LUX knob between the 'Daytime' and 'Night'.



2 Year Replacement Warranty

Visit our website for details <https://www.martecaustralia.com.au/warranty-statement/>



WARNING

- Installation of product **MUST** follow SAA standards and meet local authority regulations.
- Installation **MUST** be carried out by a qualified and licensed electrician.
- Light **MUST** be earthed.
- Light **MUST** be firmly installed to a flat solid surface, wall or ceiling.
- **DO NOT** immerse any part of the light fitting into water or any form of liquid.
- **DO NOT** look directly into the LED light.
- The warranty is **VOID** if product is not installed according to this installation guide.