

Vancouver LED Wall Light Installation Guide

We strongly recommend that you read this manual carefully before installation.
Installation MUST be carried out by a qualified and licensed electrician.



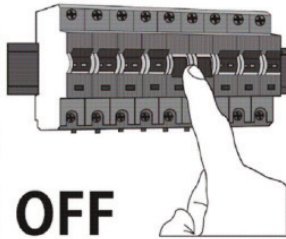
Replacement
Warranty

Models Parameters

MLXVE27FSM 60W IP44 Exterior Wall Light (E27 lampholder)

Installation Instructions

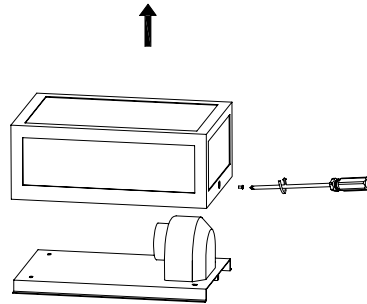
Step 1



OFF

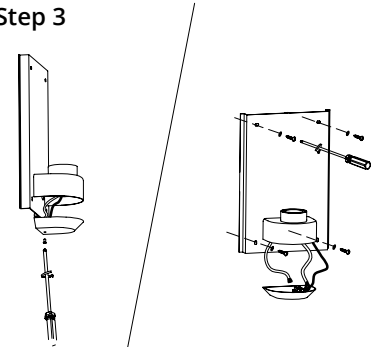
Switch off the mains.

Step 2



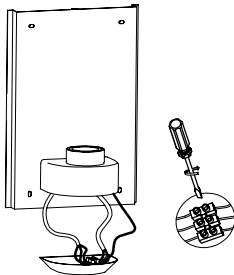
Unscrew and remove the mounting bracket using the allen key supplied.

Step 3



Mount the bracket on the desired surface using the screws supplied.

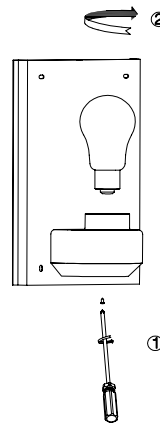
Step 4



INCOMING SUPPLY
LIVE (Brown or Red) → TO FITTING LIVE
EARTH (Green or Yellow) → EARTH
NEUTRAL (Blue or Black) → NEUTRAL

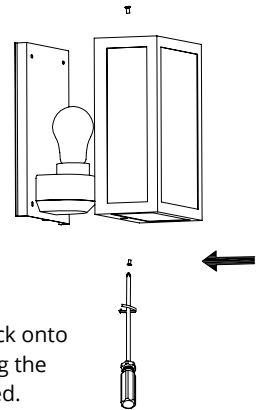
Wire to main as illustrated.

Step 5



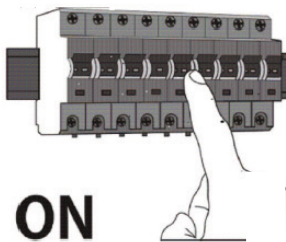
Scew E27 lamp into the lamp holder.
(lamp not included)

Step 6



Attach fitting back onto the bracket using the allen key supplied.

Step 7

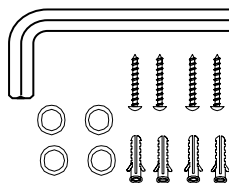


ON

Switch on the mains.

Accessories Included

- 1x allen key
- 4x washers
- 4x wall plugs
- 4x screws



Vancouver LED Wall Lights Installation Guide

Data Table

Models	Power (W)	PF	CCT (K)	Weight (KG)	Operation Temperature (Degree)	IP
MLXVE27FSM	60	≥0.5	N/A	0.75	+40° -20°	44

WARNING

- Installation of product **MUST** follow SAA standards and meet local authority regulations.
- Installation **MUST** be carried out by a qualified and licensed electrician.
- Light **MUST** be earthed.
- Light **MUST** be firmly installed to a flat solid surface, wall or ceiling.
- **DO NOT** immerse any part of the light fitting into water or any form of liquid.
- **DO NOT** look directly into the LED light.
- The warranty is **VOID** if product is not installed according to this installation guide.

2 Year Replacement Warranty

Visit our website for details <https://www.martecaustralia.com.au/warranty-statement/>

