

10W LED WALL LIGHT TRICOLOUR



Model Numbers

MLXA34510W - White
MLXA34510M - Matt Black

Features

- Modern decorative IP54 exterior wall light
- Ideal lighting solution for area around the house, pathways and entrance areas
- Robust die-cast aluminium frame with UV resistant polycarbonate diffuser
- Integral LED light source
- Switchable colour temperature 3000K, 4000K and 5000K
- Supplied with terminal block and mounting plate for easy installation



2
YEAR
Replacement
Warranty



Tricolour



Non
Dimmable



IP
54
Ingress
Protection



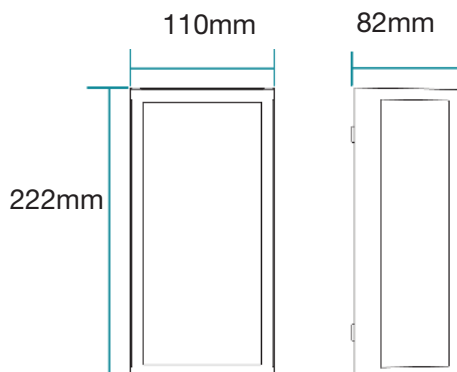
30,000
HOURS
LED Lifetime



Class I

DIMENSIONS

10W



Aust/NZ Approval No.
SAA No. GMA-514153

10W LED WALL LIGHT TRICOLOUR

SHIPPING

Model Numbers	Carton Size			Carton Quantity	Carton Gross Weight (Kg)
	H (mm)	W (mm)	L (mm)		
MLXA34510W	260	260	470	10	8
MLXA34510M	260	260	470	10	8

INSTALLATION

Installation	By licensed electrician only
Warranty	2 year replacement warranty

*For further information regarding warranty terms and conditions, please refer to enclosed warranty statement.
Warranty is void unless installed by a licensed electrician.


SPECIFICATIONS

Model Name	Ashton
Model Numbers	MLXA34510W - White MLXA34510M - Matt Black
Power Wattage	10W
Voltage	220-240V 50Hz
Materials / Housing	Aluminium
Colour Temperature	3000K / 4000K / 5000K
Lumens Output	980lm
IP Rating	IP54
Beam Angle	N/A
CRI	Ra>80
Rated Lifetime	30,000 hours @ Ta25°C

AVAILABLE COLOURS



White

Model	Colour	Barcode
MLXA34510W	White	



Matt Black

Model	Colour	Barcode
MLXA34510M	Matt Black	