

Razor AC Series Installation Guide

Thanks for choosing our Razor AC Series ceiling fan.

We strongly recommend that you read this manual carefully before installation.



Models Parameters (Fan Only):-

MRF134W	1320mm 4 Blade Ceiling Fan White
MRF134M	1320mm 4 Blade Ceiling Fan Matt Black
MRF134B	1320mm 4 Blade Ceiling Fan Brushed Nickel

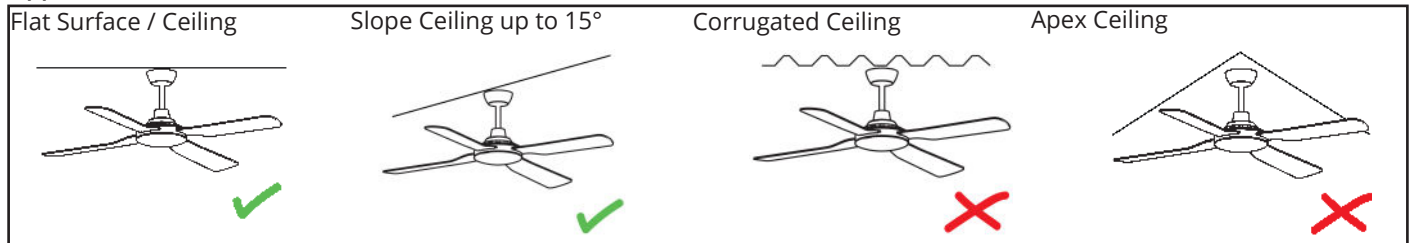
Models Parameters (Fan and LED Light):-

MRF1343W	1320mm 4 Blade Ceiling Fan White with 28w LED Light
----------	---

Part List:

Qty 1x motor assembly	Qty 1x instruction manual	Qty 1x screw kit	Qty 1x balancing kit
Qty 1x hanging bracket	Qty 1x wall control kit	Qty 4x blades	

Application



How to Assemble

<p>Fg.1</p>  <p>Secure the hanger bracket to ceiling beam or a suitable piece of timber inserted between the ceiling beams using the two long screws supplied with the package.</p>	<p>Fg.2</p>  <p>Place fan into hanger bracket and align Ball Joint Slot with hanger bracket as illustrated.</p>	<p>Fg.3</p>  <p>After wiring is completed, attach the canopy to the hanger bracket by pushing upwards and twisting anti-clockwise. Tighten screws and ensure canopy is not touching the ball joint.</p>
---	---	---

WARNING Installation **MUST** carry out by a qualified and licensed electrician.

How to Install Blades

Fg.4



Remove the two screws from the covering plate.

Insert blade one at a time through four slots around the centre band and secure with three screws for each blade through the top opening. Replace this procedure for all blades.

Replace the cover plate and secure with two screws once all four blades have been firmly fitted.

NB: Ensure the blades do not get damaged or bent during the installation process while the fan maybe on the ground, this will affect the performance and balance of the fan and this is **NOT** covered under warranty.

CCT (Colour Changeable Temperature)

Fg.6



Choose colour temperature by flicking the switch in the LED

WW = 3000K warm white

NW = 4000K neutral white

CW = 5000K cool white

How to Install / Remove the Cover

Fg.7 Fan and Fan LED Light Model



Turn anti-clockwise to remove and clockwise to tighten.

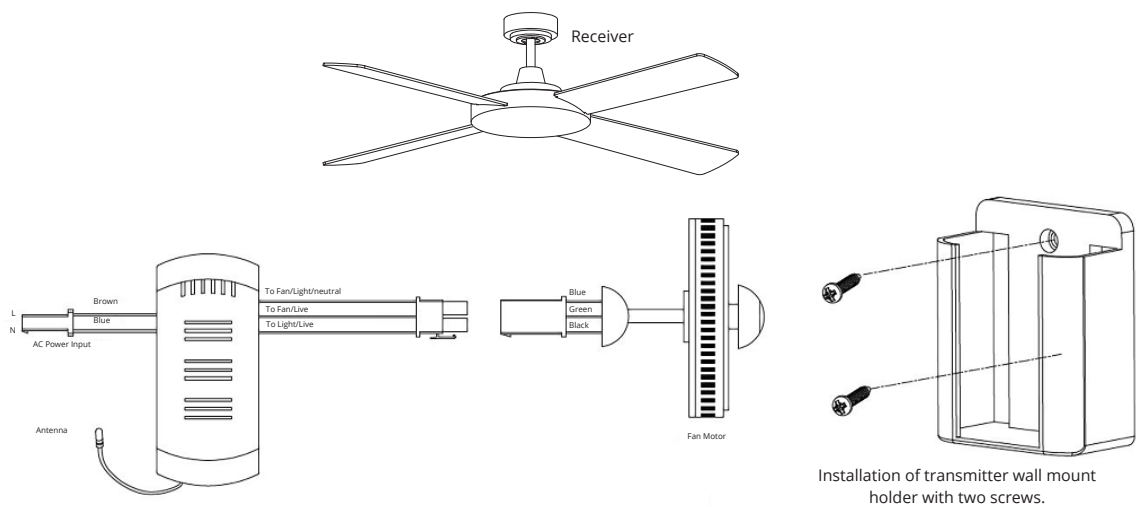
WARNING Installation **MUST** carry out by a qualified and licensed electrician.

Dimming

The Razor ceiling fan has a smart 3 step dimming LED light module which doesn't require a dimmable remote control or a wall dimmer. It only requires a normal on/off remote kit (MPREMS) or a normal light wall switch. (Supplied in remote control kit).

Turn the switch on and the light will turn on. Flick the switch on/off within 1 second and the light output will dim down to approx. 50%. Flick the switch on/off again and the light output will dim down to approximately 15%. The light kit has no memory function, It will turn on 100% initially.

Installing Receiver Remote Control



Setting the code on transmitter

1. Remove battery cover
2. Slide code switches to your choice of ON/OFF position
3. Install battery (supplied)

Setting code on receiver:-

1. Slide code switches on the receiver in the same position set on the transmitter

Optional Accessories

Martec® remote control for AC Ceiling Fan illustrated below are sold separately.



MPREMS
Premier Remote Control



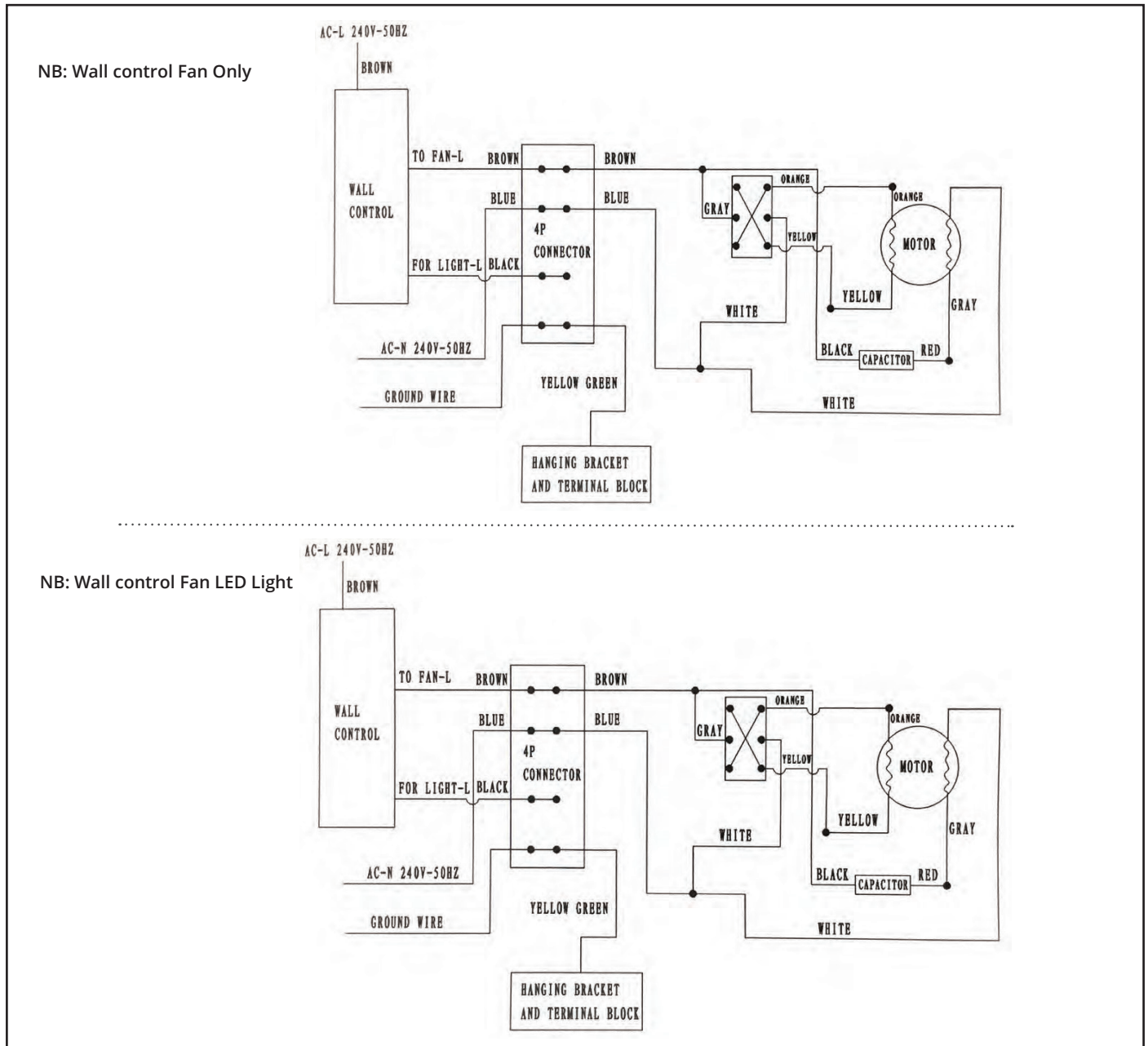
MPLCDS
Premium LCD Remote Control



MWFBT
Smart Remote Control

WARNING Installation MUST carry out by a qualified and licensed electrician.

Wire Connections



6* Year Warranty

Visit our website for details <https://www.martecaustralia.com.au/warranty-statement/>



WARNING

- Installation of fans **MUST** follow SAA standards and meet local authority regulations.
- Installation **MUST** be carried out by a qualified and licensed electrician.
- Fan and light **MUST** be earthed.
- Bracket **MUST** be firmly attached to a flat solid structure or timber frame.
- **DO NOT** mix blades from one model to another, all blades **MUST** be replaced if damaged.
- The warranty is **VOID** if product is not installed according to this installation guide.