

Carrara DC Smart Series Installation Guide

Thanks for choosing our Carrara DC Smart Series ceiling fan.
We strongly recommend that you read this manual carefully before installation.

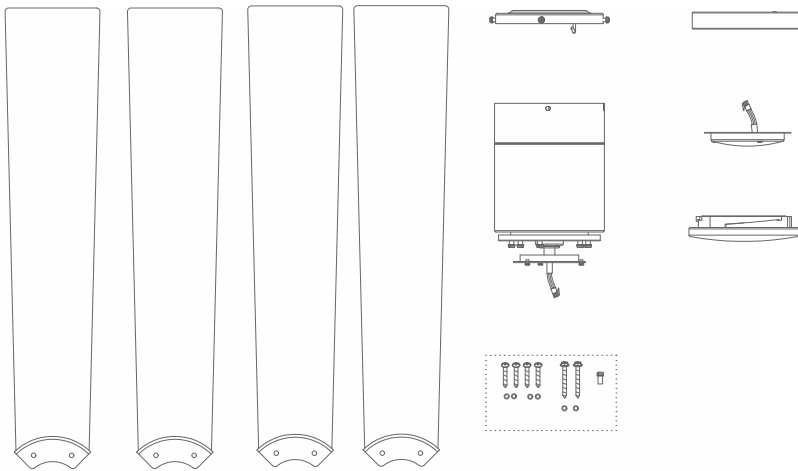


Models Parameters (Fan and LED Light):

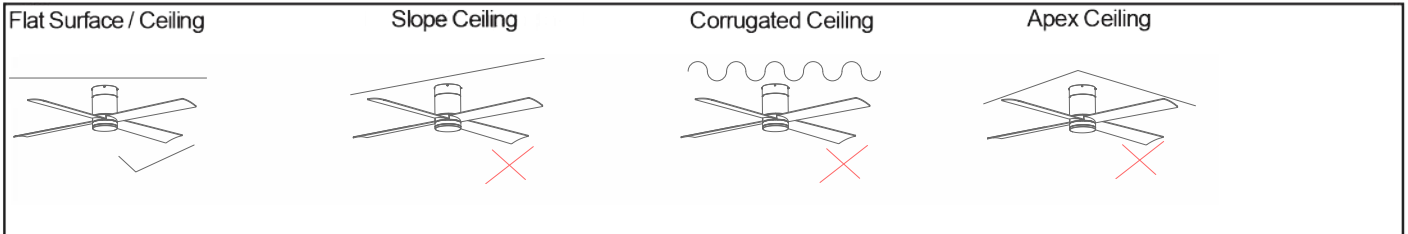
MCDC1243M 1220mm 4 Blade DC WiFi Ceiling Fan Matt Black with light
MCDC1243W 1220mm 4 Blade DC WiFi Ceiling Fan Matt White with light

Part List:

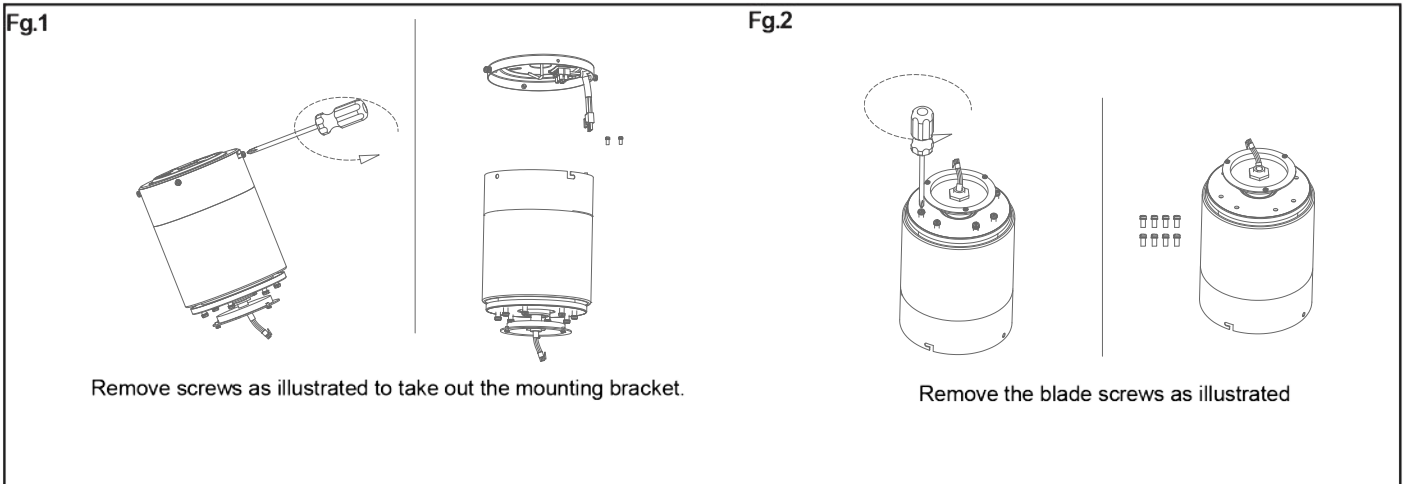
Qty 1x Motor assembly Qty 1x Instruction manual Qty 1x Screw kit Qty 1x light kit pan Qty 1x LED light kit
Qty 1x Hanging bracket Qty 1x Remote & Receiver Qty 4x Blades Qty 1x acrylic lampshade



Application

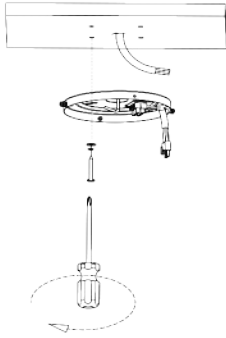


How to Assemble



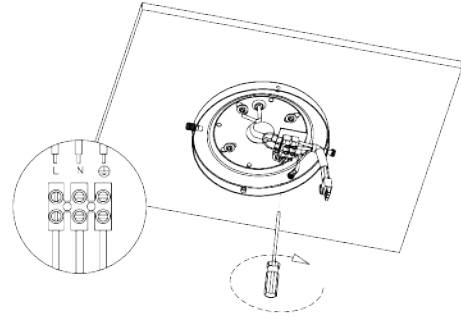
WARNING Installation MUST carry out by a qualified and licensed electrician.

Fg.3



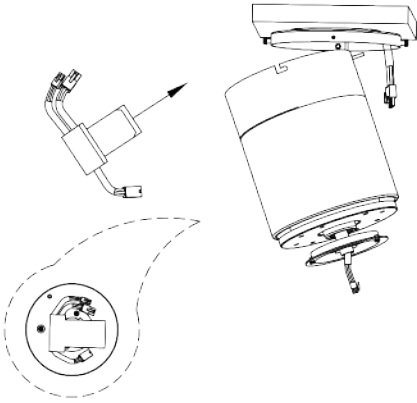
Secure the ceiling fan mounting plate to the ceiling using screws and washers provided. Ensure screws are tightened on the mounting plate.

Fg.4

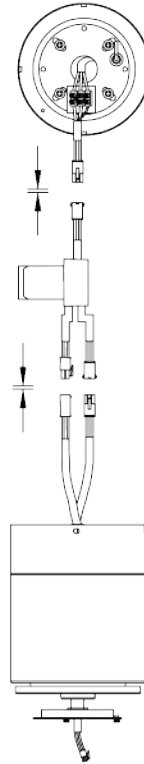


Wire the mount plate to mains.

Fg.5



Connect the receiver output with motor and input with the mounting bracket.



Wire up the receiver with quick connectors and insert into the mounting bracket. Please make sure the antenna wire has been safely folded inside the canopy cover before final assembly (DO NOT cut the antenna wire)

Important Reminders

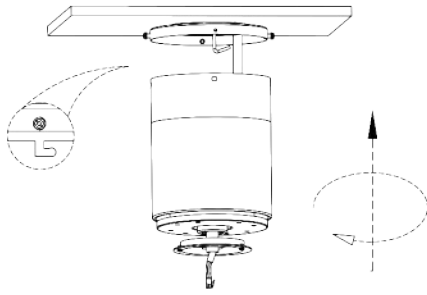
Receiver must be correctly installed in the mounting bracket
When the transmitter cannot control the receiver, please check

- i) has sufficient battery in the transmitter
- ii) any existence of similar remote controlled products nearby that cause interference
Replace battery if getting low as this will affect sensitivity of the transmitter
Take the battery out from the transmitter when leaving used for a long time to avoid battery leaks
Isolation switch MUST be connected in the line

WARNING Installation MUST carry out by a qualified and licensed electrician.

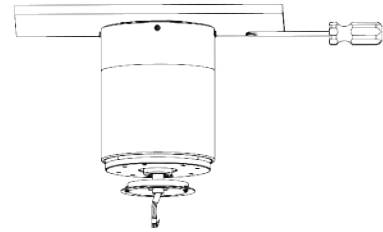
How to Install

Fg.6



Carefully install the motor housing into the mounting plate by pushing and twisting onto the mounting bracket.

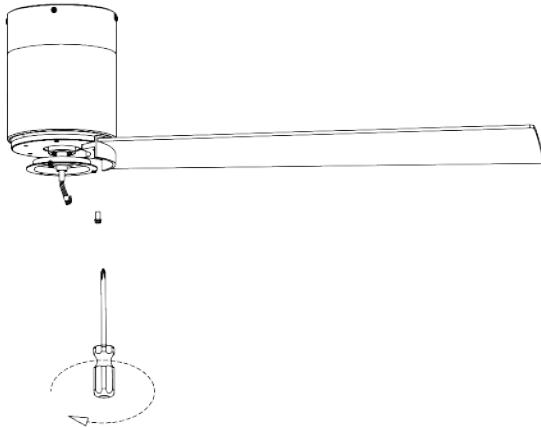
Fg.7



Secure the motor housing with the 4 screws supplied.

How to Install Blades

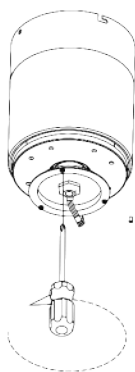
Fg.8



Install the blades to the bottom of the motor. Tighten and secure blade with screw and washer provided. Repeat this procedure until all blades are installed.

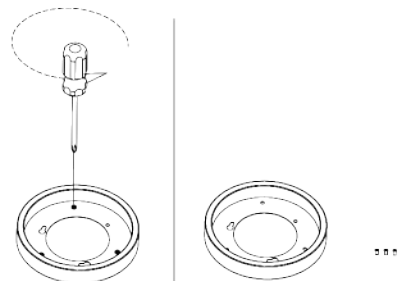
NB: Ensure the blades do not get damaged or bent during the installation process while the fan maybe on the ground, this will affect the performance and balance of the fan and this is NOT covered under warranty

Fg.9



Remove ONLY one screws from the bottom steel plate, and put it aside for use later.

Fg.10

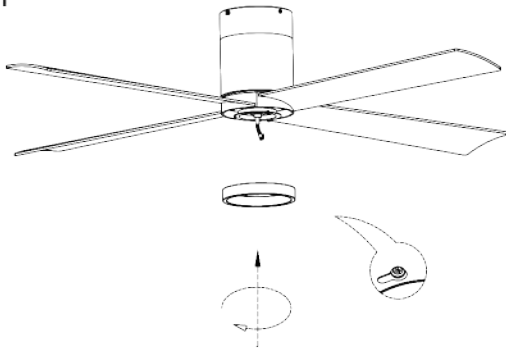


Remove the screws form the base plate of the LED light. Put them aside

WARNING Installation MUST carry out by a qualified and licensed electrician.

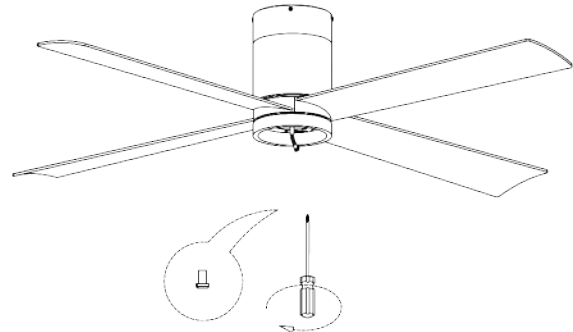
How to Install / light kit pan

Fg.11



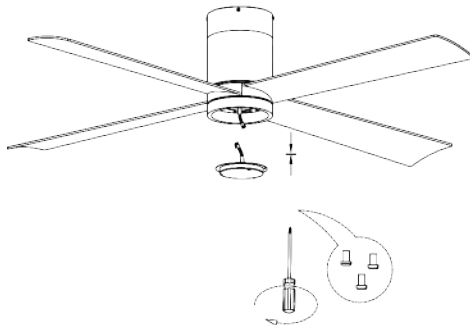
Align the key holes of the LED light plate with the two remaining screws on the bracket. Then twist clock wisely to install it onto the bracket.

Fg.12



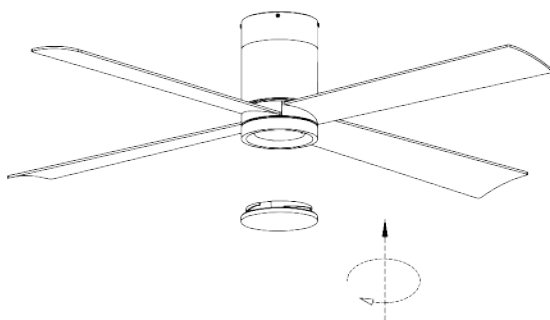
Secure the installation by put the screw from step 9 back onto the steel plate.

Fg.13



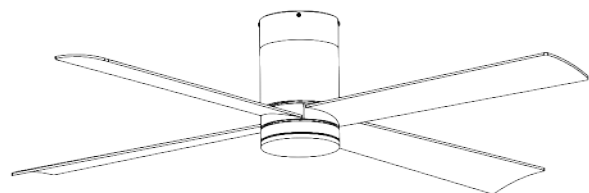
Connect LED lights with motor housing using by quick plugs .
Connect and install the LED light with the screws from step 10.

Fg.14



Put the lampshade to the light kit and tighten it.

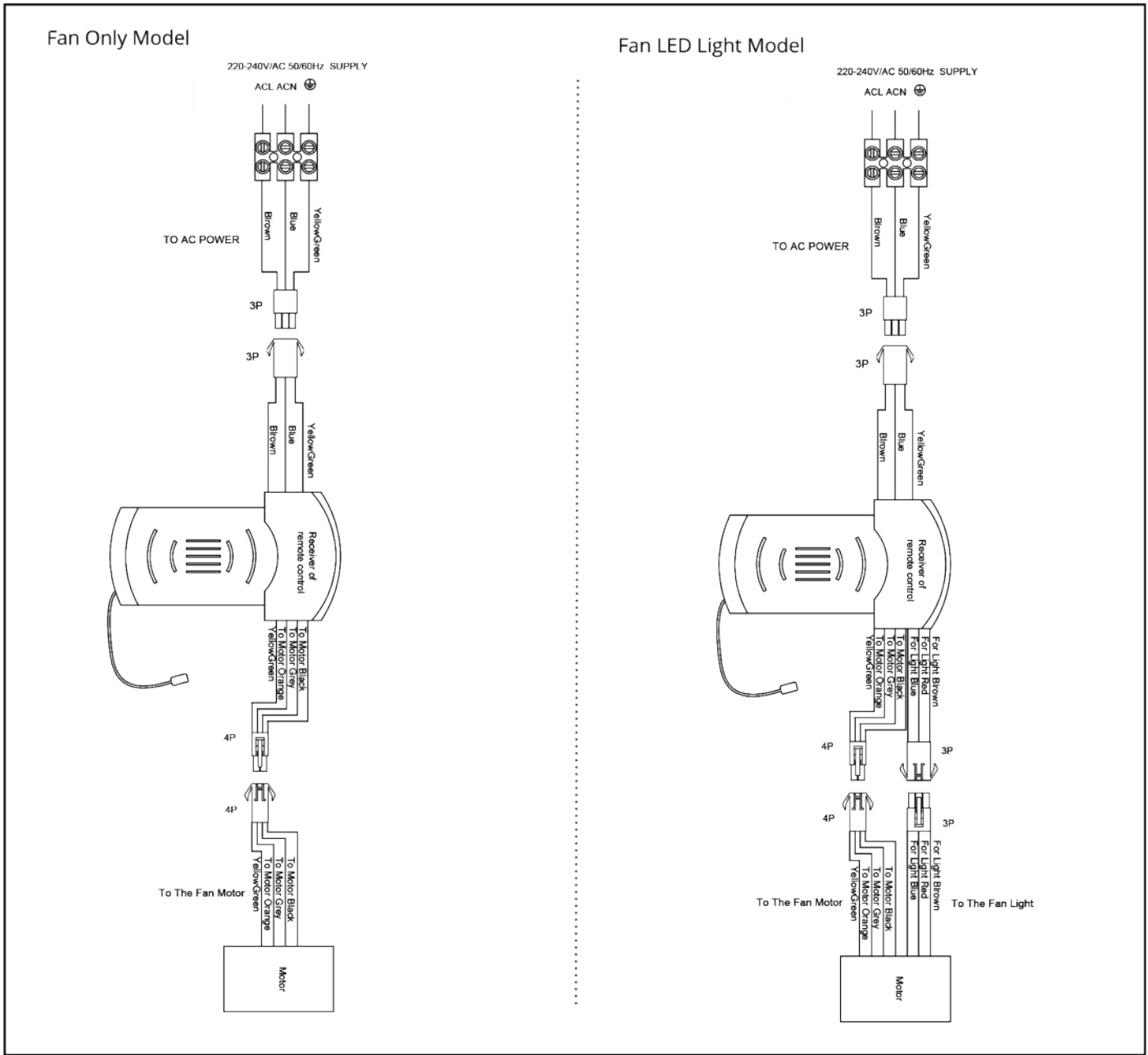
Fg.15



The installation is finished.

WARNING Installation MUST carry out by a qualified and licensed electrician.

Wire Connections



6* Year Warranty

Visit our website for details

https://www.martecaustralia.com.au/wp-content/uploads/2023/05/Warranty-Statement_Cooling.pdf



WARNING

- Installation of fans **MUST** follow SAA standards and meet local authority regulations.
- Installation **MUST** be carried out by a qualified and licensed electrician.
- Fan and light **MUST** be earthed.
- Bracket **MUST** be firmly attached to a flat solid structure or timber frame.
- **DO NOT** mix blades from one model to another, all blades **MUST** be replaced if damaged.
- The warranty is **VOID** if product is not installed according to this installation guide.

WARNING Installation MUST carry out by a qualified and licensed electrician.

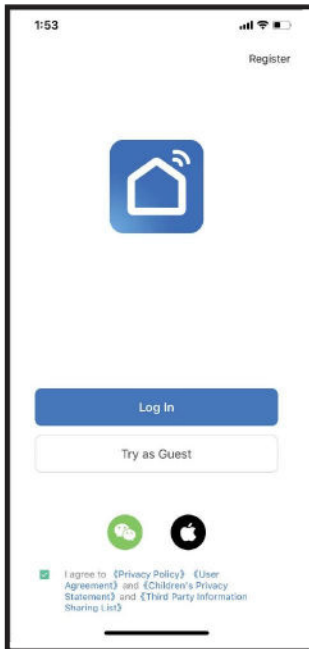
Smart Life matching process, please follow the steps:

1. Download the "Smart Life" APP on your smart devices by scanning the QR code below with camera.



2. Turn on WiFi and Bluetooth on your smart devices. Ensure it's connected to a 2.4GHZ WiFi.

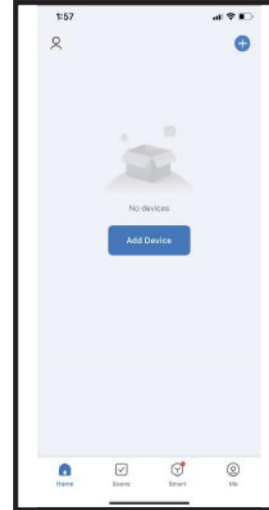
3. Open the APP, follow the steps to register new user account or login existing account.



4. Follow instructions in main manual (steps can also be found on the back of the remote) to put the fan into WiFi pairing mode. If the operation is successful, go to step 6. If the fan has previously been paired or you can't get it to work, please go to step 5 to RESET the fan.

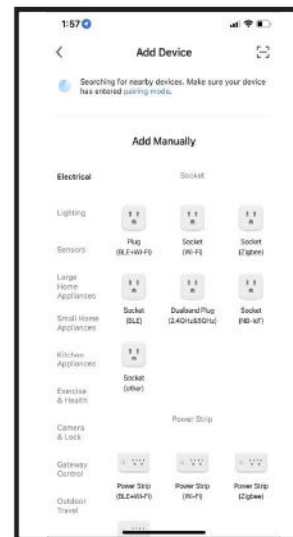
5. RESET the fan. This step is NOT necessary if the fan has successfully entered WiFi pairing mode in the last step, if not, try to RESET the fan: turn on the fan, power off after 10 seconds, power on again after 15 seconds, long press "Fan Stop" for 5 seconds, if "beep beep" are heard, the reset is successful. If "beep beep" is not heard, the reset is failed, please repeat this step.

6. Once the fan has entered WiFi pairing mode, open the APP again on the smart device. Click "Add Device" in the middle or the "+" on the top right of the screen.



7. The auto scan should begin automatically, and the fan should show up at the top of screen within a few seconds.

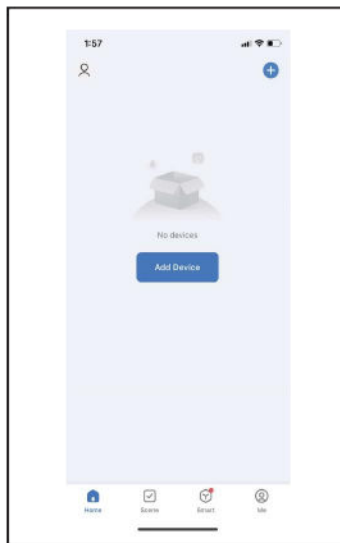
Note: If the fan is not showing up, you can add it manually by clicking and navigate to: >Add Manually >Small Home Appliance > Fan



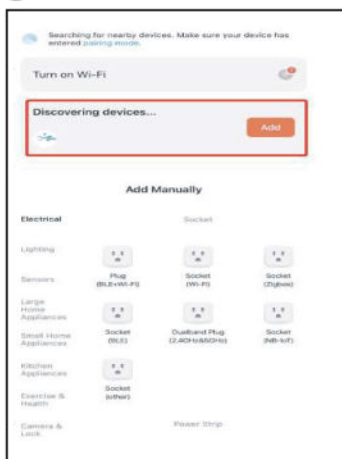
WARNING Installation MUST carry out by a qualified and licensed electrician.

8. Follow instructions in the APP to finish the set up.

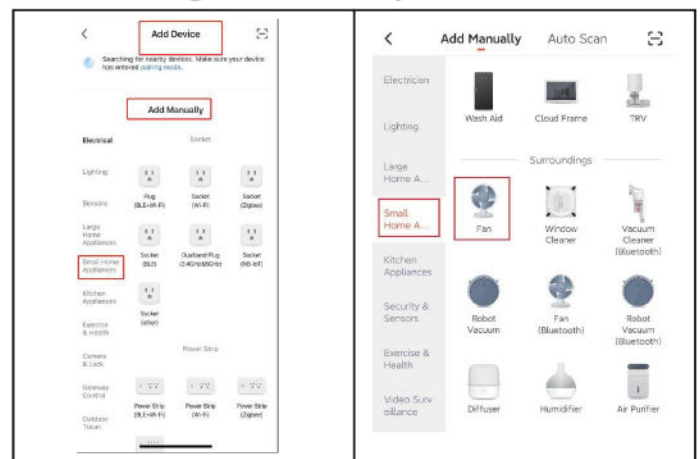
①



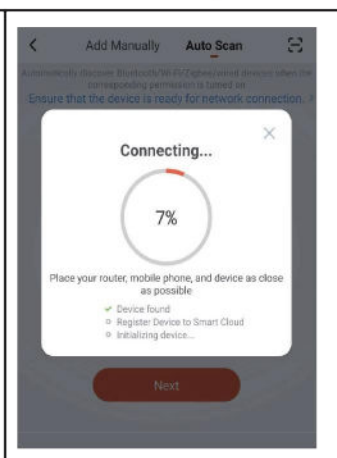
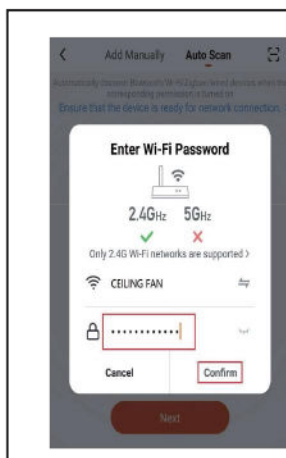
② Automatic Search



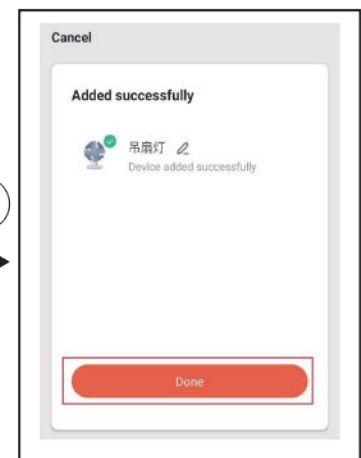
② Manually Add



③



④




WARNING Installation MUST carry out by a qualified and licensed electrician.

WiFi / Remote Control Pairing


Fan only model

Pairing the remote control


1. Turn on the ceiling fan.
2. Within the first 20 seconds, continue pressing the  button until you hear a “beep” sound. ie. It is paired.


If you don't hear a “beep” sound, repeat step 1 and step 2 again.

Entering WiFi Pairing mode:

1. Turn on the power.
2. Within the first 20 seconds, press and hold the “  ” button until a “beep” is heard.
3. Continue step connect on your smart devices to complete the pairing.

If you don't hear a “beep” sound, repeat the above steps.

FAN OFF  : to switch off the fan.


SLEEP MODE  : Turn on the fan at an extra lower speed to create a general breeze.

SPEED BUTTON: 1 = lowest speed. 6 = highest speed.

NATURAL WIND MODE  : designed for the elderly and children. 1-6 speed changes randomly to feel the breeze.

FORWARD AND REVERSAL  : summer/winter reverse mode.


TIMER 1H/4H/8H: preset timer for fan and light to stop automatically. ie. if timer set at 1H and then press 4H, fan will stop at 4H. Setting default to last press.

WIFI BUTTON  : Follow the instructions and press and hold for 20 seconds to enter wifi matching mode.




Fan LED Light Model

Pairing the remote control

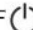
1. Turn on the ceiling fan.
2. Within the first 20 seconds, continue pressing the  button until you hear a “beep” sound. ie. It is paired.

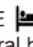
If you don't hear a “beep” sound, repeat step 1 and step 2 again.

Entering WiFi Pairing mode:

1. Turn on the power.
2. Within the first 20 seconds, press and hold the “  ” button until a “beep” is heard.
3. Continue step connect on your smart devices to complete the pairing.

If you don't hear a “beep” sound, repeat the above steps.

FAN OFF  : to switch off the fan.


SLEEP MODE  : Turn on the fan at an extra lower speed to create a general breeze.

SPEED BUTTON: 1 = lowest speed. 6 = highest speed.

NATURAL WIND MODE  : designed for the elderly and children. 1-6 speed changes randomly to feel the breeze.

FORWARD AND REVERSAL  : summer/winter reverse mode.

TIMER 1H/4H/8H: preset timer for fan and light to stop automatically. ie. if timer set at 1H and then press 4H, fan will stop at 4H. Setting default to last press.

LIGHT ON/OFF  : to switch off the light.

CCT : warm white (2700K) / natural white (4000K) / cool white (6500K)

LED- LED+ : minus “-” = reduces brightness
plus “+” = increases brightness



6* Year Warranty

Visit our website for details

https://www.martecaustralia.com.au/wp-content/uploads/2023/05/Warranty-Statement_Cooling.pdf



WARNING

- Installation of fans MUST follow SAA standards and meet local authority regulations.
- Installation MUST be carried out by a qualified and licensed electrician.
- Fan and light MUST be earthed.
- Bracket MUST be firmly attached to a flat solid structure or timber frame.
- DO NOT mix blades from one model to another, all blades MUST be replaced if damaged.
- The warranty is VOID if product is not installed according to this installation guide.