

**32W 1420MM (56") SMART DC CEILING FAN
3 TIMBER BLADES WITH WIFI REMOTE CONTROL + LED LIGHT**



Warranty



DC Motor



Wi-Fi



Indoor
Cover
Outdoor Use



Summer/
Winter
Reverse
Function



CCT



Variable
Dimming



Scan for
product
information

Model Numbers

MNDC1433WM	Matt White/Natural
MNDC1433WW	Matt White/White Wash
MNDC1433MW	Matt Black/Walnut

Features

- Brushless quiet and efficient 32W DC motor
- WiFi connectivity and operate via Smart Life application
- Low profile designed ideal for indoor and covered outdoor applications
- Unique comfort sleep and breeze mode + 6 other speed settings
- Steel body, canopy and solid timber blades with PMMA lens cover
- Fully reversible for summer and winter mode from remote control
- 20W LED with variable dimming
- Variable 5 stage colour temperature between 2700K to 6000K

32W 1420MM (56") SMART DC CEILING FAN 3 TIMBER BLADES WITH WIFI REMOTE CONTROL + LED LIGHT

SPECIFICATIONS

Model Name	Norfolk DC
Model Numbers	MNDC1433WN Matt White/Natural MNDC1433WW Matt White/White Wash MNDC14433MW Matt Black/Walnut
Power Wattage / Motor	32W DC
Voltage / Frequency	220-240Va.c. 50-60Hz
Air Movement (m³/hr)	
Maximum RPM	Up to 185 RPM
Airflow Efficiency	Up to 313m ³ /hr per watt
Speed 6 (Highest)	9,950m ³ /hr
Speed 5	7,850m ³ /hr
Speed 4	6,780m ³ /hr
Speed 3	5,530m ³ /hr
Speed 2	4,080m ³ /hr
Speed 1 (Lowest)	3,260m ³ /hr
Materials / Blade	Timber blade
Number of Blades	3
Blade Pitch	9°
Hangsure Canopy	15°
Lighting Wattage / Type	20W LED
Colour Temperature	2700K to 6000K
Lumens Output	Up to 2420lm
Rated Lifetime	35,000 hours @ Ta25°C
Dimmable	Variable dimming

REMOTE CONTROL

Control	
Light	On/off
CCT	2700K/3000K/4000K/5000K/6000K
Fan	Off only
Fan Speed Setting	6
Other Features	Summer/winter reverse mode Breeze mode Sleep mode
Timer	Off only - 1hr, 4hr or 8hr
Power	1 x A23 12V batteries (supplied)
Size	145 x 42mm
Radio Frequency	433Mhz

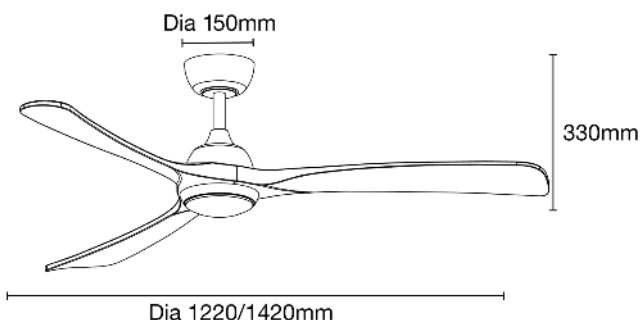
SHIPPING

Model Numbers	Carton Size			Carton Quantity	Carton Gross Weight (Kg)
	H (mm)	W (mm)	L (mm)		
MNDC1233WN	225	320	750	1	5.2
MNDC1233WW	225	320	750	1	5.2
MNDC1233MW	225	320	750	1	5.2

INSTALLATION

Installation	By licensed electrician only
Warranty	6* year warranty (*3 year in-home + additional 3 year replacement on the motor only)

DIMENSIONS



* Product must be installed by licensed electrician if not warranty will be void. Visit website for further information regarding warranty terms and conditions. Specification and imagery subject to change without prior notice. Last updated October 2023.



Aust/NZ Approval No.
GMA-517332-EA