

**32W 1420MM (56") SMART DC CEILING FAN  
3 TIMBER BLADES WITH WIFI REMOTE CONTROL + LED LIGHT**



Warranty



DC Motor



Wi-Fi



Indoor & Covered  
Outdoor Use



Summer/  
Winter  
Reverse  
Function



CCT



Variable  
Dimming

### Model Numbers

MNDC1433WM	Matt White/Natural
MNDC1433WW	Matt White/White Wash
MNDC1433MW	Matt Black/Walnut

### Features

- Brushless quiet and efficient 32W DC motor
- WiFi connectivity and operate via Smart Life application
- Low profile designed ideal for indoor and covered outdoor applications
- Unique comfort sleep and breeze mode + 6 other speed settings
- Steel body, canopy and solid timber blades with PMMA lens cover
- Fully reversible for summer and winter mode from remote control
- 20W LED with variable dimming
- Variable 6 stage colour temperature between 2700K to 6000K



Scan for  
product  
information

## 32W 1420MM (56") SMART DC CEILING FAN 3 TIMBER BLADES WITH WIFI REMOTE CONTROL + LED LIGHT

### SPECIFICATIONS

<b>Model Name</b>	Norfolk DC
<b>Model Numbers</b>	MNDC1433WN Matt White/Natural MNDC1433WW Matt White/White Wash MNDC14433MW Matt Black/Walnut
<b>Power Wattage / Motor</b>	32W DC
<b>Voltage / Frequency</b>	220-240V.a.c. 50-60Hz
<b>Air Movement (m<sup>3</sup>/hr)</b>	
<b>Maximum RPM</b>	Up to 185 RPM
<b>Airflow Efficiency</b>	Up to 313m <sup>3</sup> /hr per watt
<b>Speed 6 (Highest)</b>	9,950m <sup>3</sup> /hr
<b>Speed 5</b>	7,850m <sup>3</sup> /hr
<b>Speed 4</b>	6,780m <sup>3</sup> /hr
<b>Speed 3</b>	5,530m <sup>3</sup> /hr
<b>Speed 2</b>	4,080m <sup>3</sup> /hr
<b>Speed 1 (Lowest)</b>	3,260m <sup>3</sup> /hr
<b>Materials / Blade</b>	Timber blade
<b>Number of Blades</b>	3
<b>Blade Pitch</b>	9°
<b>Hangsure Canopy</b>	15°
<b>Lighting Wattage / Type</b>	20W LED
<b>Colour Temperature</b>	2700K to 6000K
<b>Lumens Output</b>	Up to 2420lm
<b>Rated Lifetime</b>	35,000 hours @ Ta25°C
<b>Dimmable</b>	Variable dimming

### REMOTE CONTROL

<b>Control</b>	
<b>Light</b>	On/off
<b>CCT</b>	2700K/3000K/4000K/5000K/6000K
<b>Fan</b>	Off only
<b>Fan Speed Setting</b>	6
<b>Other Features</b>	Summer/winter reverse mode Breeze mode Sleep mode
<b>Timer</b>	Off only - 1hr, 4hr or 8hr
<b>Power</b>	1 x A23 12V batteries (supplied)
<b>Size</b>	145 x 42mm
<b>Radio Frequency</b>	433Mhz

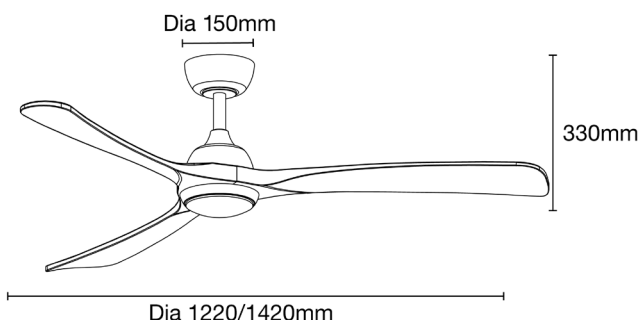
### SHIPPING

Model Numbers	Carton Size			Carton Quantity	Carton Gross Weight (Kg)
	H (mm)	W (mm)	L (mm)		
MNDC1233WN	225	320	750	1	5.2
MNDC1233WW	225	320	750	1	5.2
MNDC1233MW	225	320	750	1	5.2

### INSTALLATION

<b>Installation</b>	By licensed electrician only
<b>Warranty</b>	6* year warranty (*3 year in-home + additional 3 year replacement on the motor only)

### DIMENSIONS



\* Product must be installed by licensed electrician if not warranty will be void. Visit website for further information regarding warranty terms and conditions. Specification and imagery subject to change without prior notice. Last updated October 2023.



Aust/NZ Approval No.  
GMA-517332-EA