

**32W 1420MM (56") SMART DC CEILING FAN  
3 TIMBER BLADES WITH WIFI REMOTE CONTROL**



Warranty



DC Motor



Wi-Fi



Indoor  
Cover  
Outdoor Use



Summer/  
Winter  
Reverse  
Function

### Model Numbers

MNDC143WM	Matt White/Natural
MNDC143WW	Matt White/White Wash
MNDC143MW	Matt Black/Walnut

### Features

- Brushless quiet and efficient 32W DC motor
- WiFi connectivity and operate via Smart Life application
- Low profile designed ideal for indoor and covered outdoor applications
- Unique comfort sleep and breeze mode + 6 other speed settings
- Steel body, canopy and solid timber blades
- Fully reversible for summer and winter mode from remote control



Scan for  
product  
information

## 32W 1420MM (56") SMART DC CEILING FAN 3 TIMBER BLADES WITH WIFI REMOTE CONTROL

### SPECIFICATIONS

<b>Model Name</b>	Norfolk DC
<b>Model Numbers</b>	MNDC143WN Matt White/Natural MNDC143WW Matt White/White Wash MNDC143MW Matt Black/Walnut
<b>Power Wattage / Motor</b>	32W DC
<b>Voltage / Frequency</b>	220-240Va.c. 50-60Hz
<b>Air Movement (m<sup>3</sup>/hr)</b>	
<b>Maximum RPM</b>	Up to 190 RPM
<b>Airflow Efficiency</b>	Up to 278m <sup>3</sup> /hr per watt
<b>Speed 6 (Highest)</b>	9,950m <sup>3</sup> /hr
<b>Speed 5</b>	7,850m <sup>3</sup> /hr
<b>Speed 4</b>	6,780m <sup>3</sup> /hr
<b>Speed 3</b>	5,530m <sup>3</sup> /hr
<b>Speed 2</b>	4,080m <sup>3</sup> /hr
<b>Speed 1 (Lowest)</b>	3,260m <sup>3</sup> /hr
<b>Materials / Blade</b>	Timber blade
<b>Number of Blades</b>	3
<b>Blade Pitch</b>	9°
<b>Hangsure Canopy</b>	15°
<b>Lighting Wattage / Type</b>	N/A
<b>Colour Temperature</b>	N/A
<b>Lumens Output</b>	N/A
<b>Rated Lifetime</b>	N/A
<b>Dimmable</b>	N/A

### REMOTE CONTROL

<b>Control</b>	
<b>Light</b>	N/A
<b>CCT</b>	N/A
<b>Fan</b>	Off only
<b>Fan Speed Setting</b>	6
<b>Other Features</b>	Summer/winter reverse mode Breeze mode Sleep mode
<b>Timer</b>	Off only - 1hr, 4hr or 8hr
<b>Power</b>	1 x A23 12V batteries (supplied)
<b>Size</b>	145 x 42mm
<b>Radio Frequency</b>	433Mhz

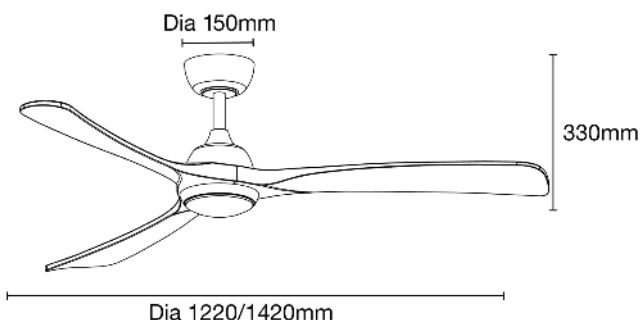
### SHIPPING

Model Numbers	Carton Size			Carton Quantity	Carton Gross Weight (Kg)
	H (mm)	W (mm)	L (mm)		
MNDC123WN	225	320	750	1	5.1
MNDC123WW	225	320	750	1	5.1
MNDC123MW	225	320	750	1	5.1

### INSTALLATION

<b>Installation</b>	By licensed electrician only
<b>Warranty</b>	6* year warranty (*3 year in-home + additional 3 year replacement on the motor only)

### DIMENSIONS



\* Product must be installed by licensed electrician if not warranty will be void. Visit website for further information regarding warranty terms and conditions. Specification and imagery subject to change without prior notice. Last updated October 2023.



Aust/NZ Approval No.  
GMA-517332-EA